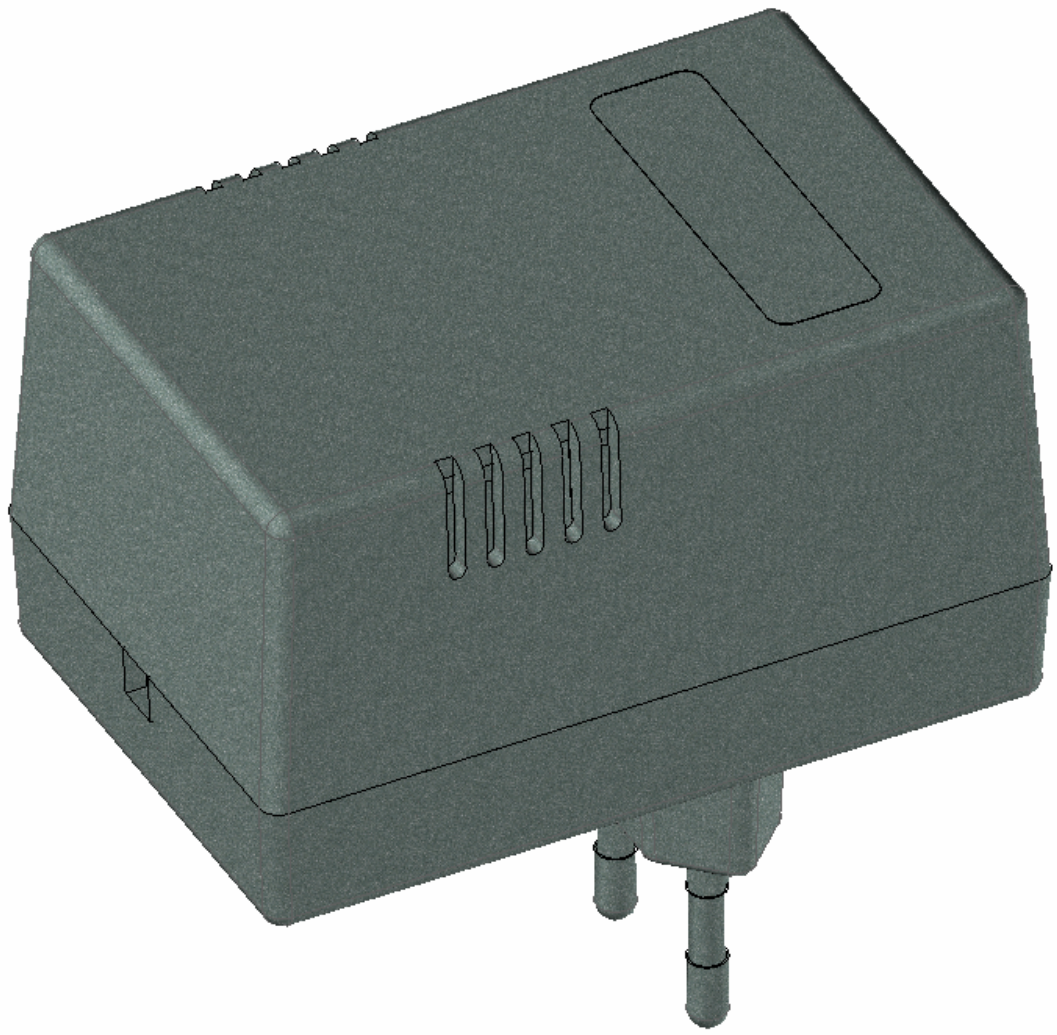
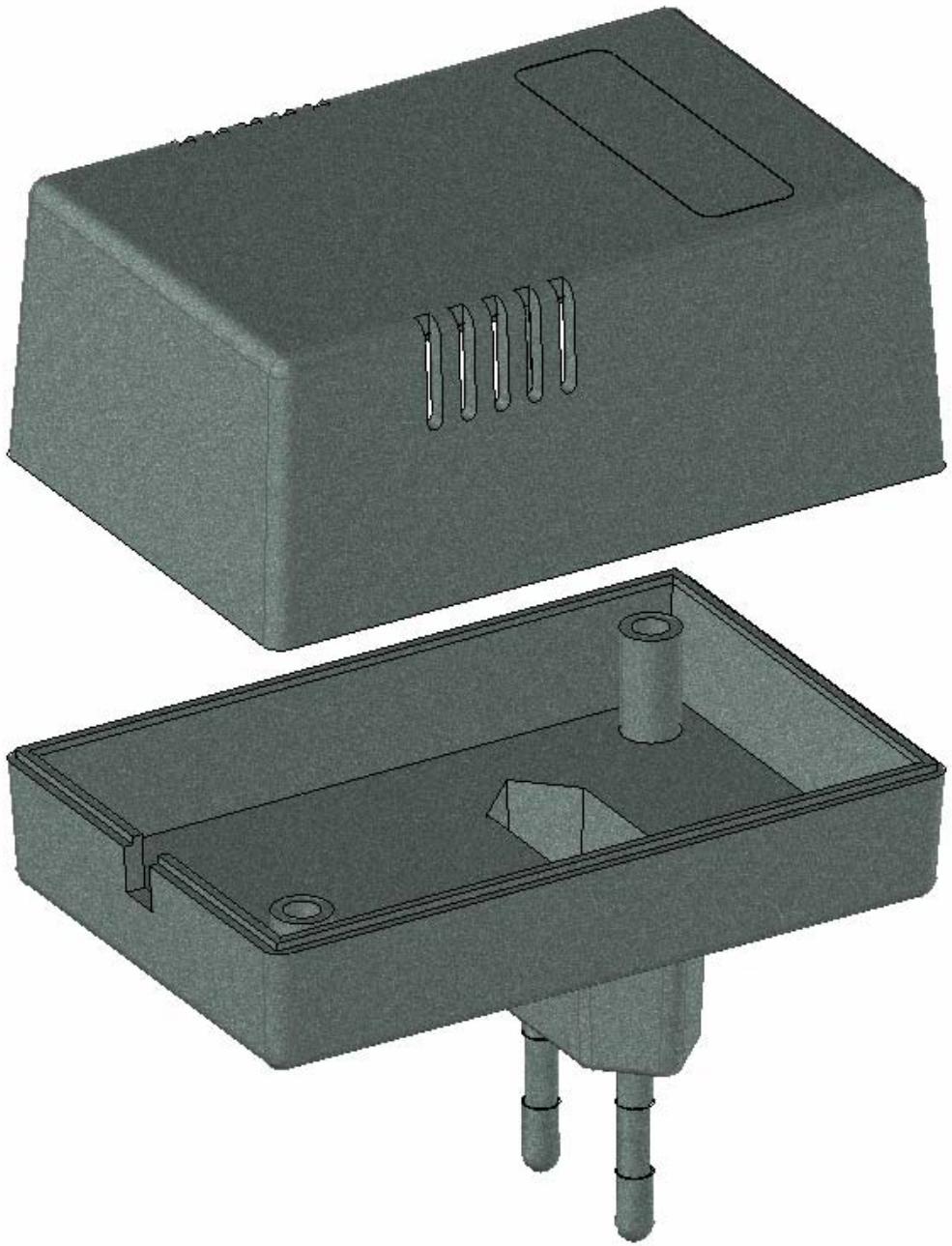


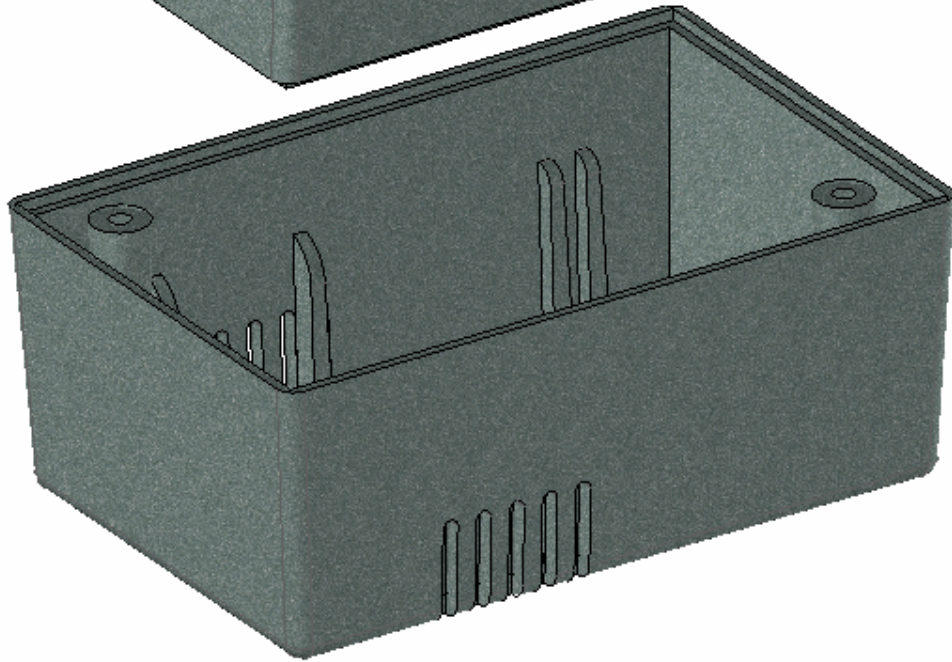
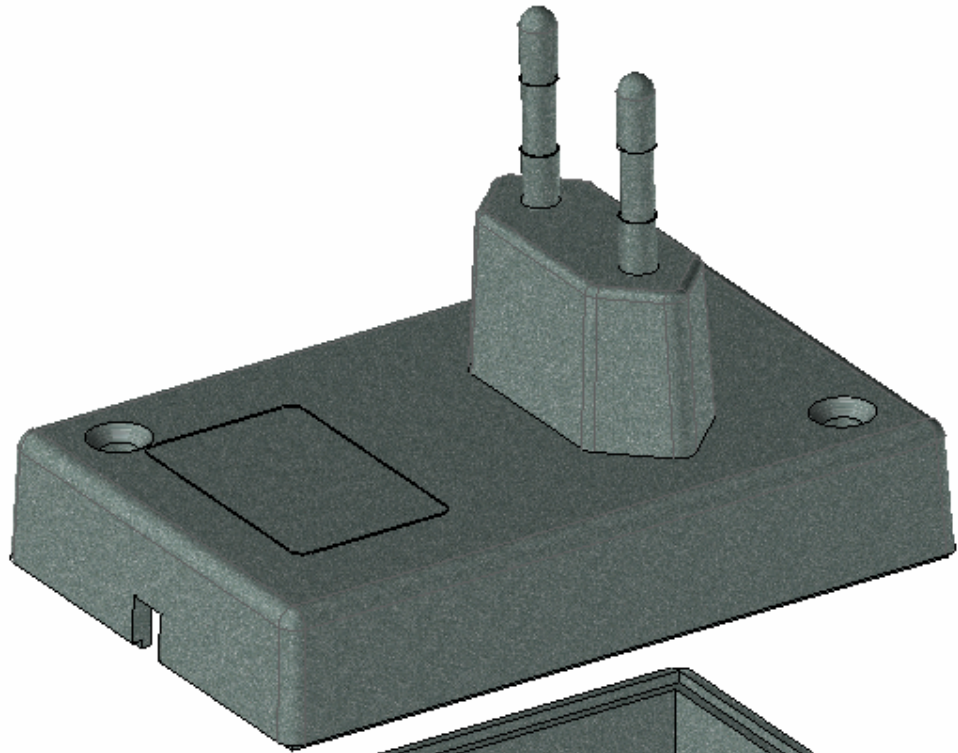
Model produktu	
Format: <b>A4</b>	Materiał: Polystyrene (PS)
Skala: <b>1:1</b>	Tolerancja: +/- 0.1

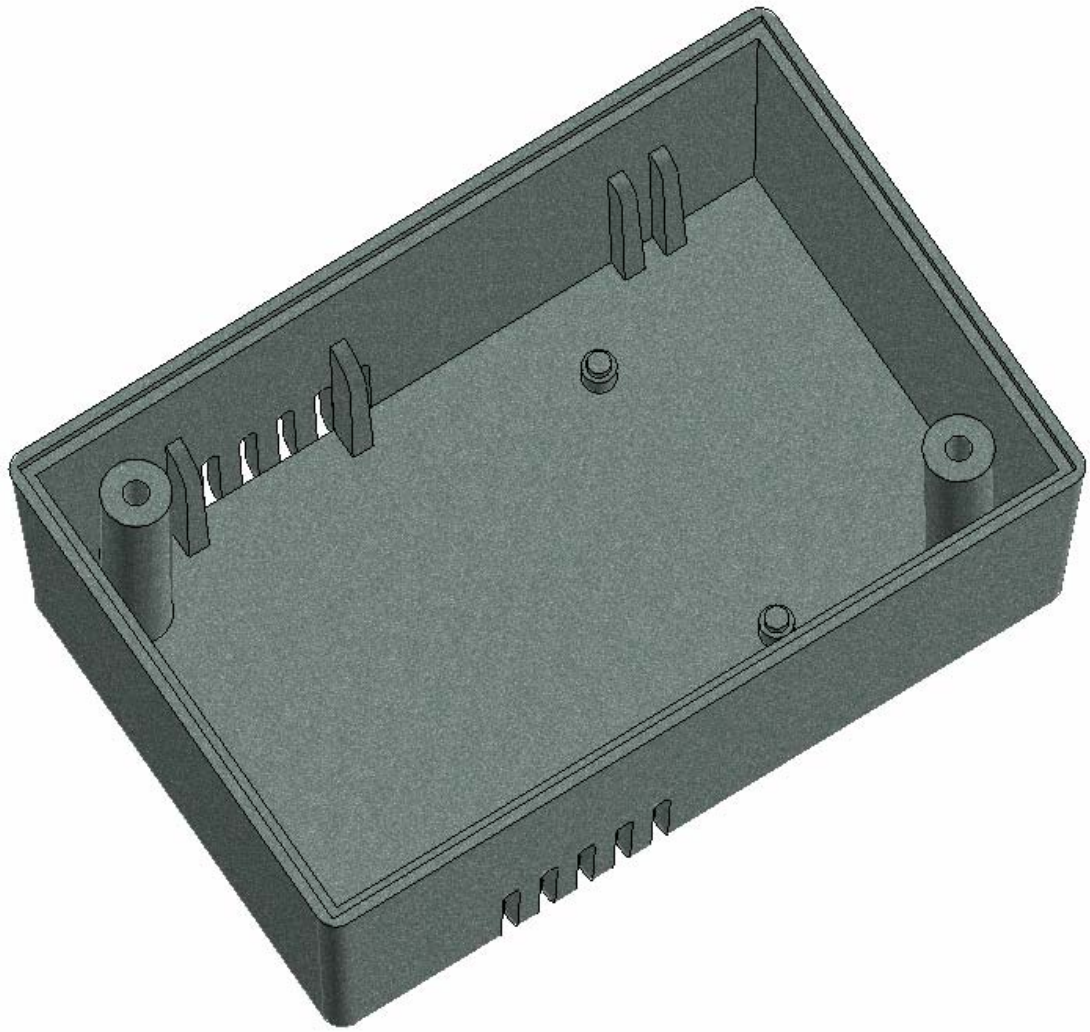


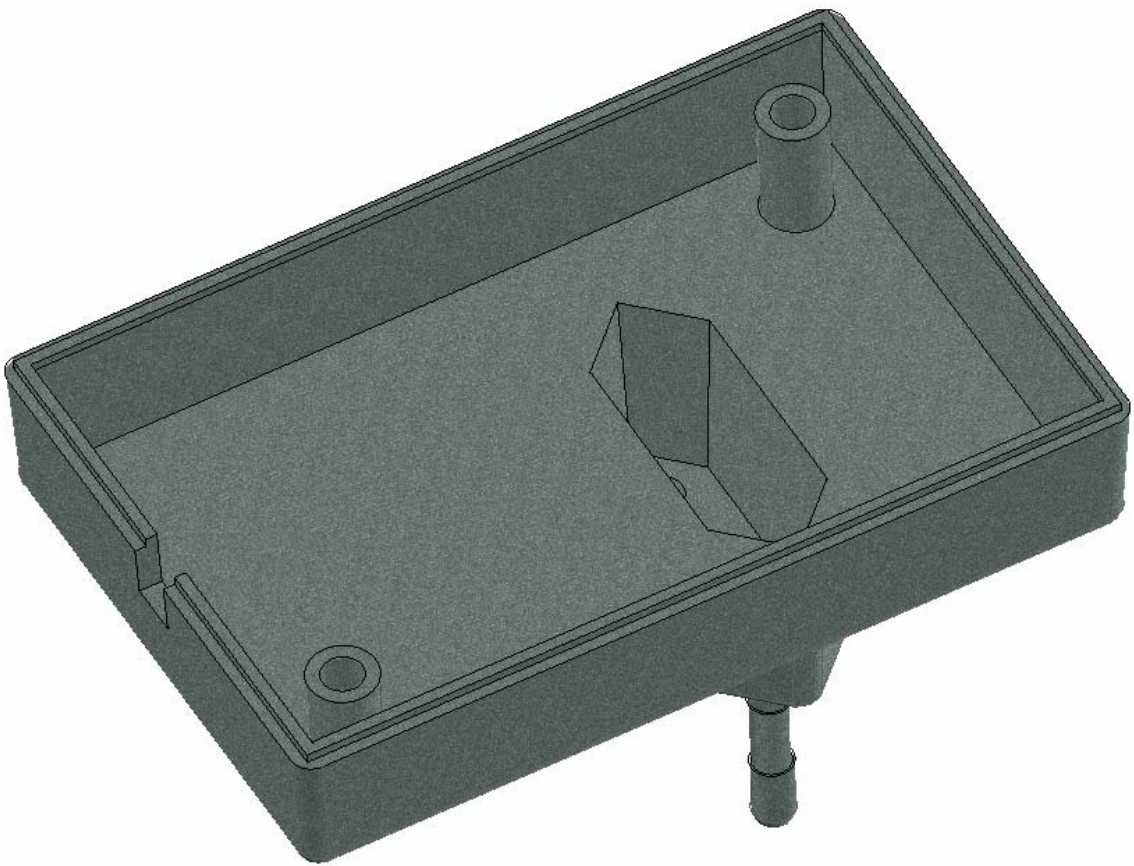








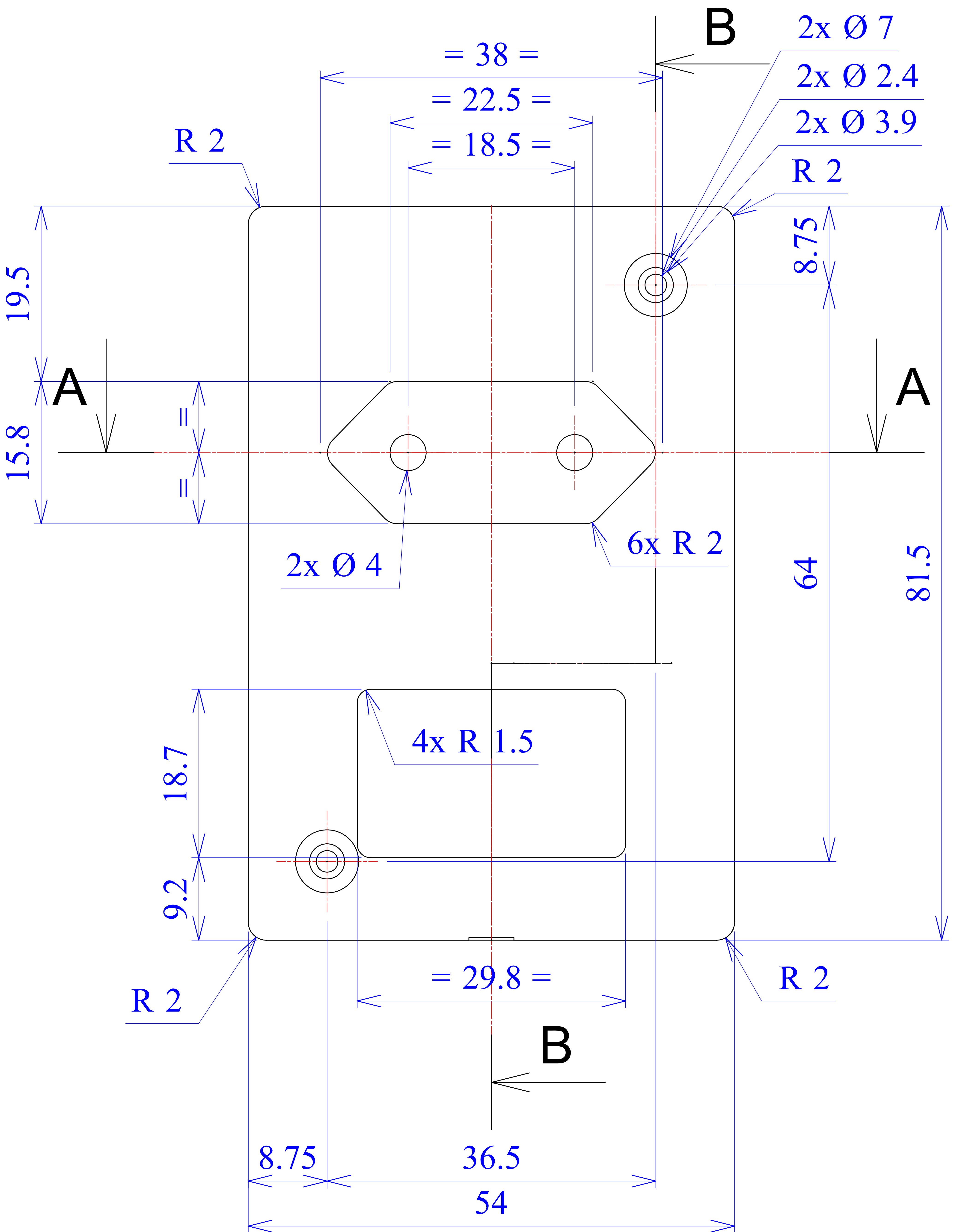


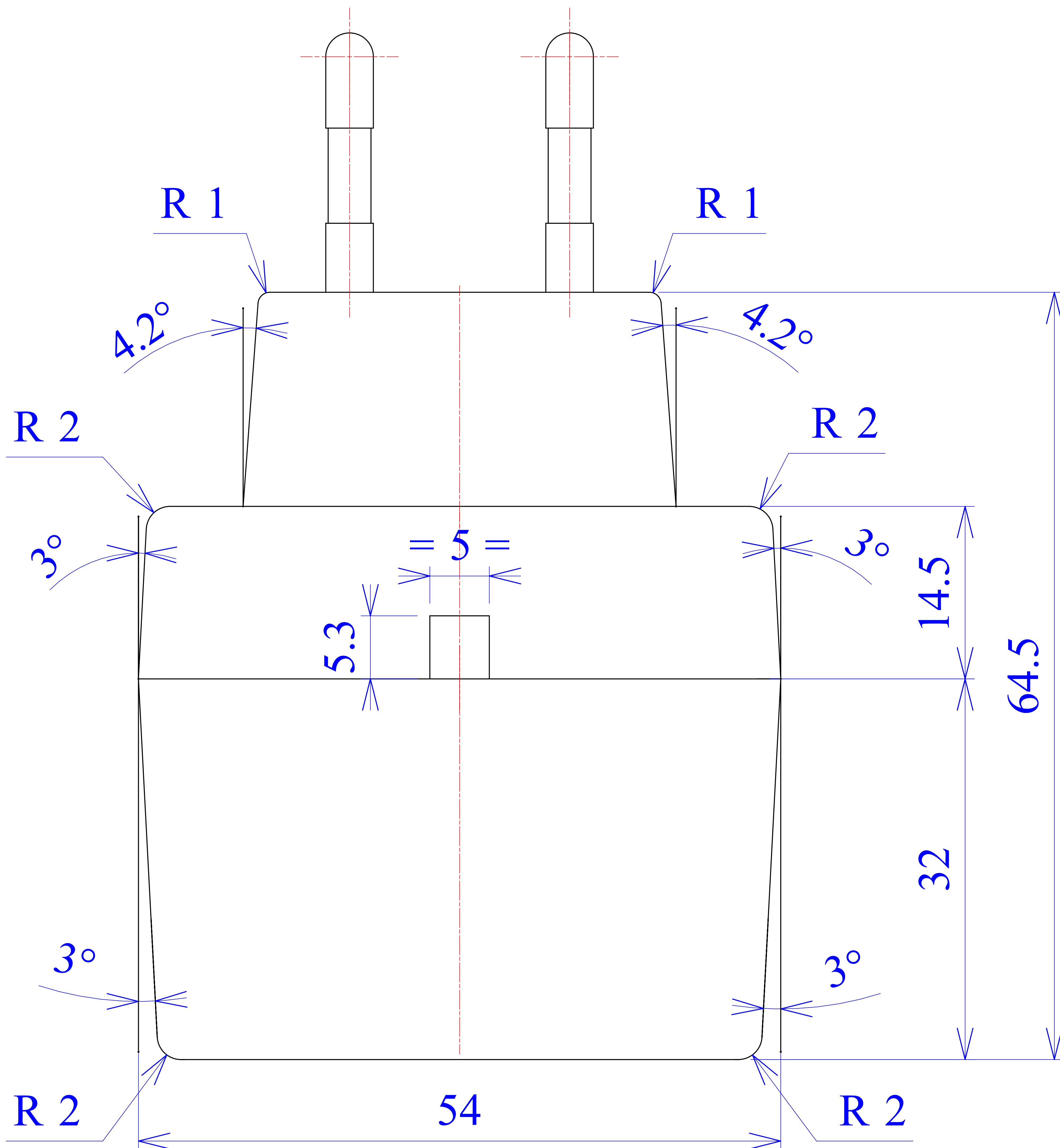




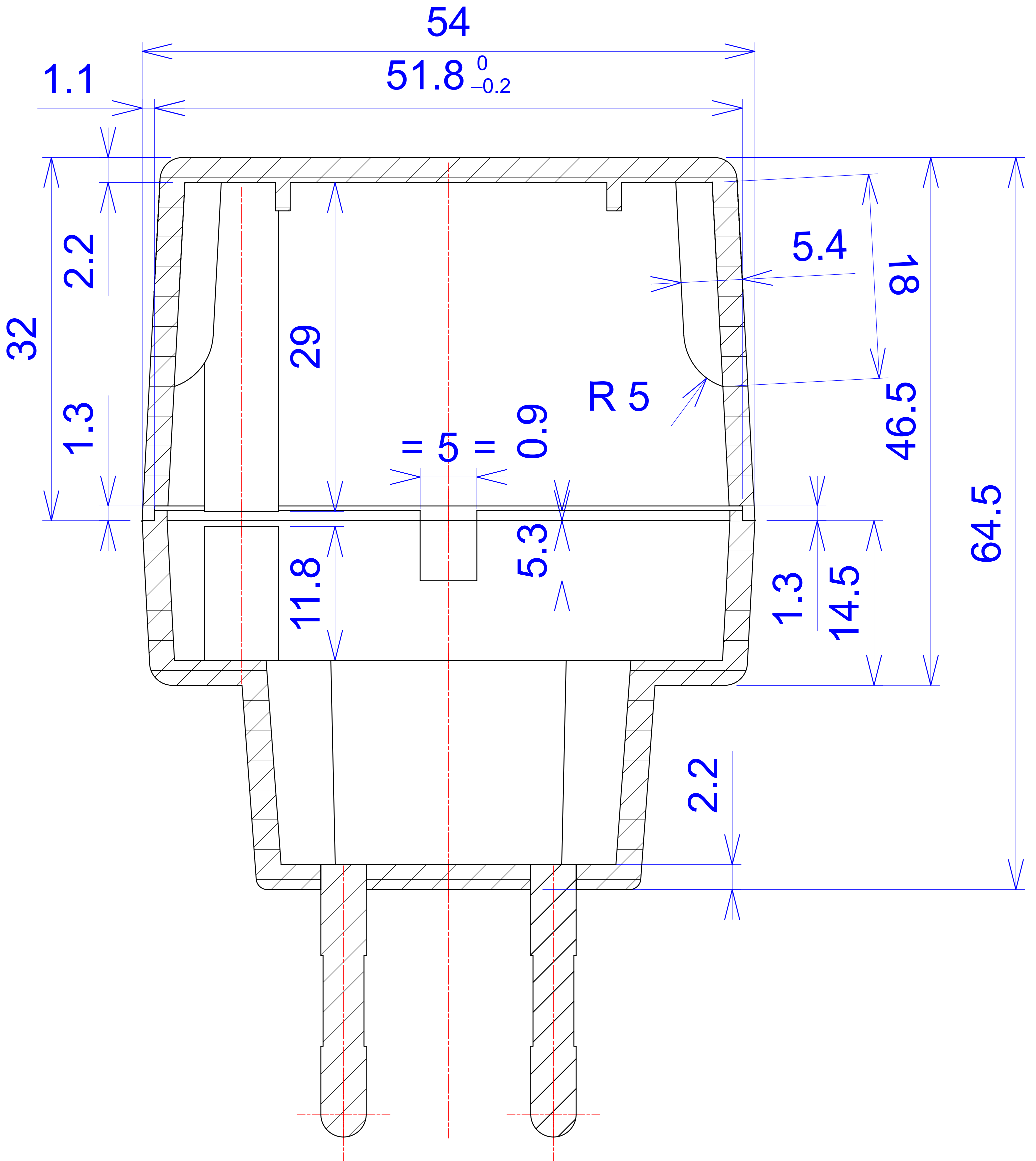


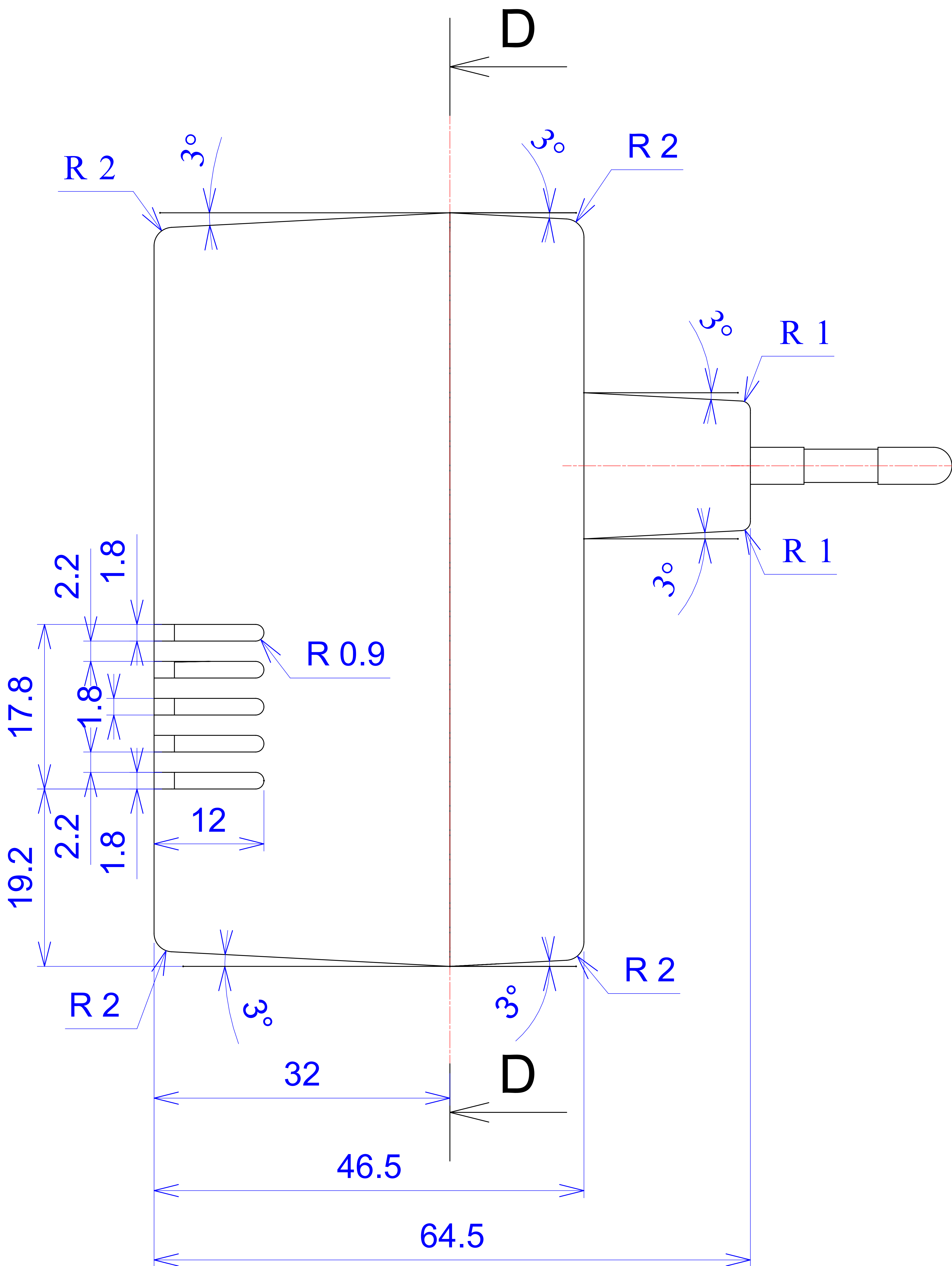




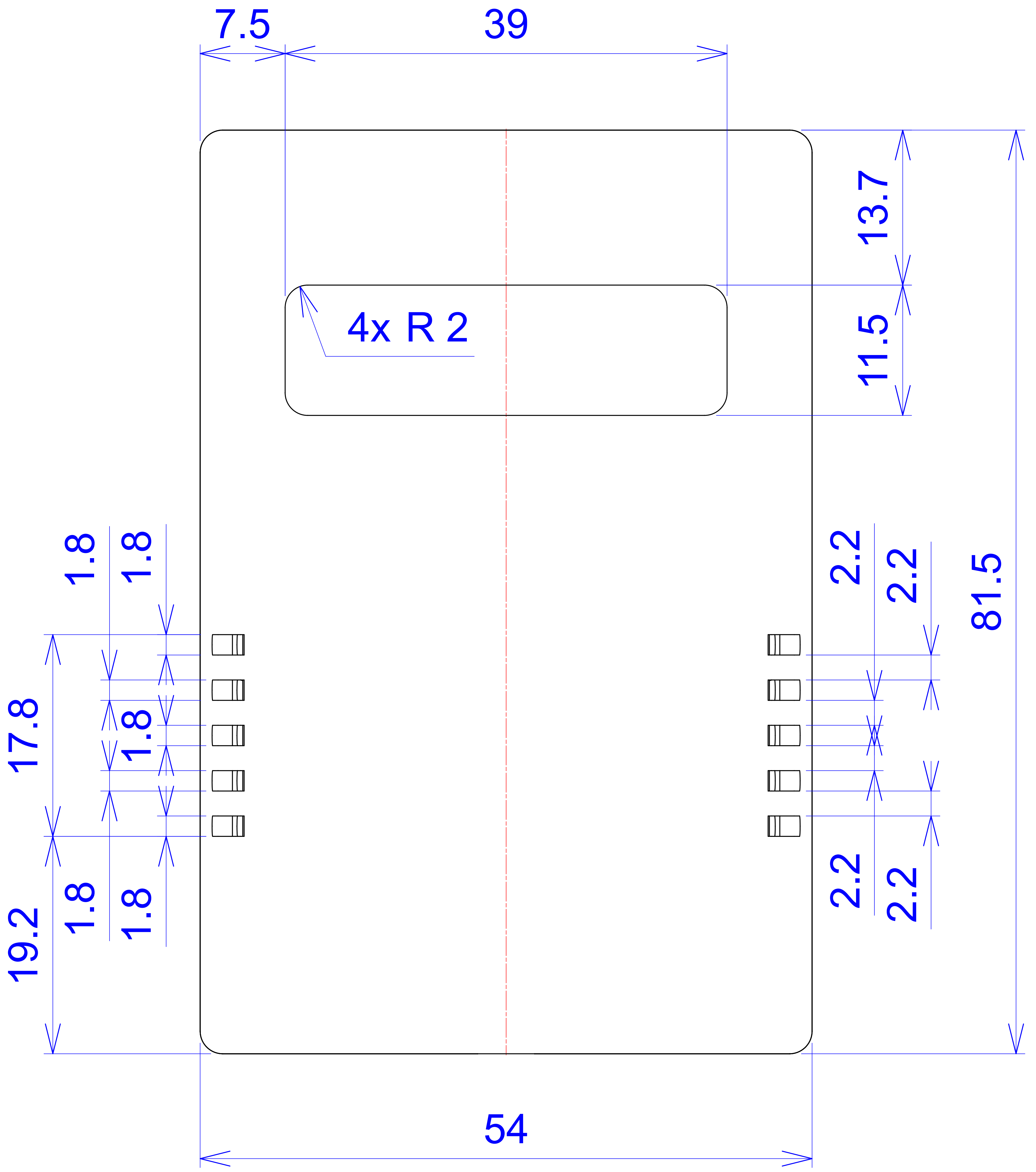


# A - A









2x Ø 3.9

2x Ø 6.5

C - C

51.8

1.1

1.1

79.29

2x Ø 4

64

80.4

8.75

= 5 =

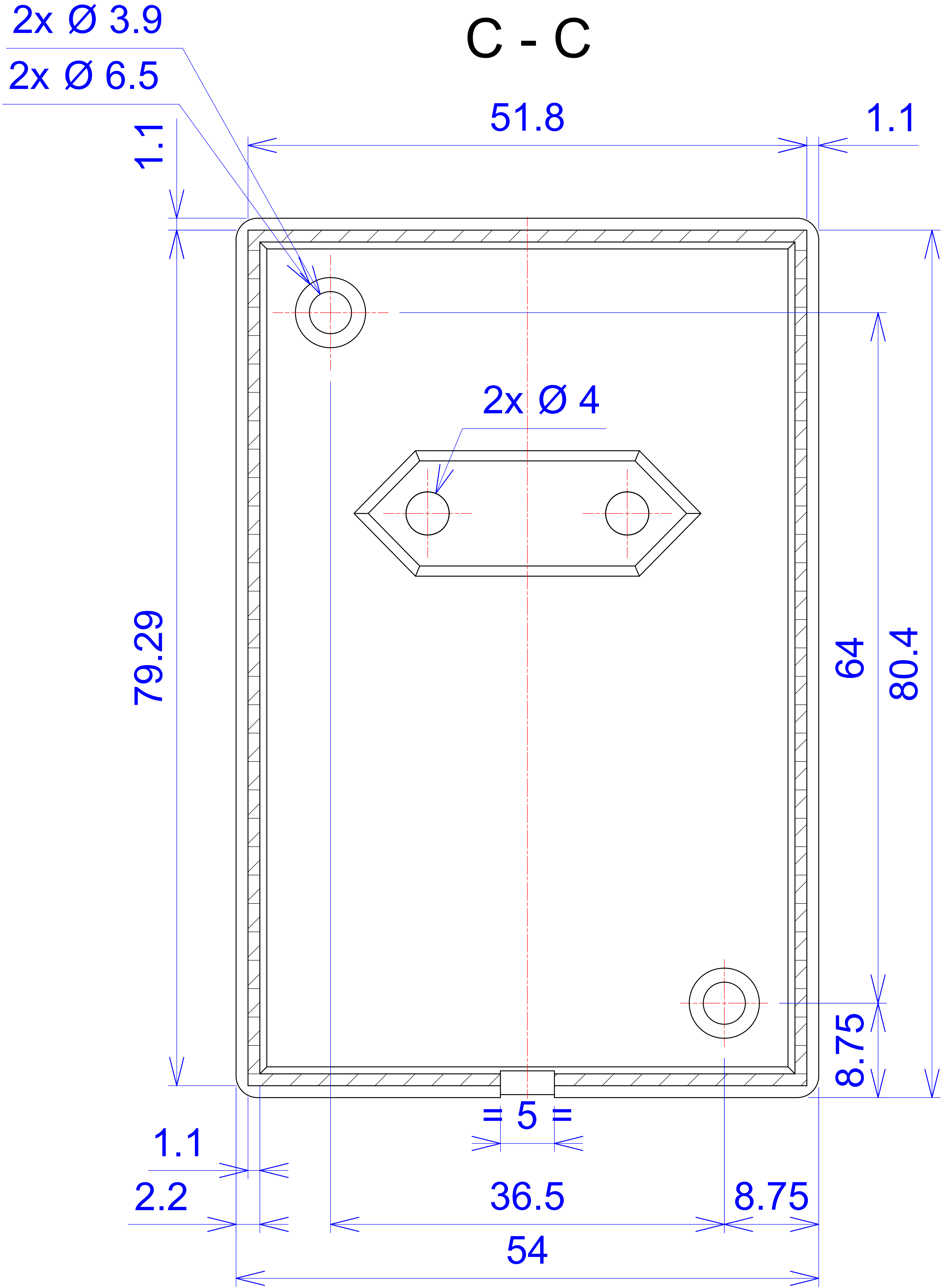
1.1

2.2

36.5

8.75

54



# D - D

= 29.2 =

