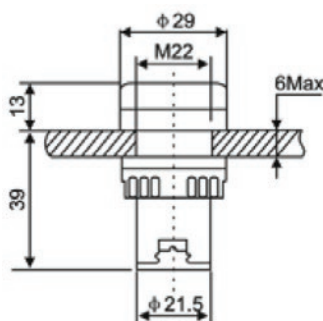


Indicators with LED

22 mm Panel Indicator



FEATURES:

Multi-chip LED technology

Modern and effective replacement for traditional 22mm pilot lights

Low power consumption but brighter than standard incandescent indicators

Back panel lock nut fixing

SPECIFICATION:

LED diameter	29 mm
Termination type	Screw Terminal
Dimensions $\phi \times L$	21.5 x 52 mm

PRODUCT RANGE:

Art. no.	Light colour	Voltage
RND 210-00055	amber	12 V
RND 210-00057	blue	12 V
RND 210-00054	green	12 V
RND 210-00049	red	12 V
RND 210-00058	white	12 V
RND 210-00046	amber	24 V
RND 210-00048	blue	24 V
RND 210-00039	green	24 V
RND 210-00040	red	24 V
RND 210-00043	white	24 V
RND 210-00051	amber	110 V
RND 210-00056	blue	110 V
RND 210-00044	green	110 V
RND 210-00045	red	110 V
RND 210-00047	white	110 V
RND 210-00050	amber	230 V
RND 210-00052	blue	230 V
RND 210-00041	green	230 V
RND 210-00042	red	230 V
RND 210-00053	white	230 V