

High Speed Fuse

multicomp PRO

**RoHS
Compliant**



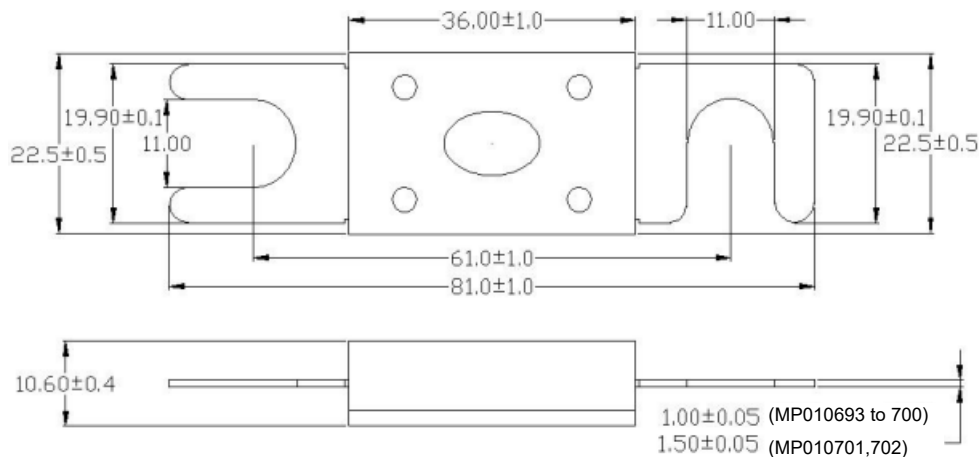
Features

- 80V DC EV high speed fuse
- Rated Current: 30-800 A
- Rated Breaking Capacity: 4 kA at 80V DC
- Ref. to: UL 248; DIN 43560
- Bolt Size: M10

Electrical Specifications

Part Number	Rated Current	Ampere Code	Rated Voltage	Breaking Capacity
MP010693	50 A	2500	80V DC	4 kA@80V DC
MP010694	80 A	2800		
MP010695	100 A	3100		
MP010696	150 A	3150		
MP010697	200 A	3200		
MP010698	250 A	3250		
MP010699	300 A	3300		
MP010700	325 A	3325		
MP010701	400 A	3400	80V DC	4 kA@80V DC
MP010702	500 A	3500		

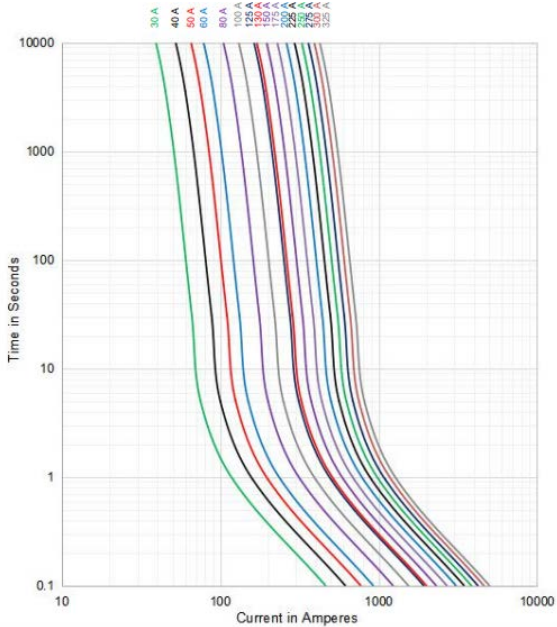
Diagram



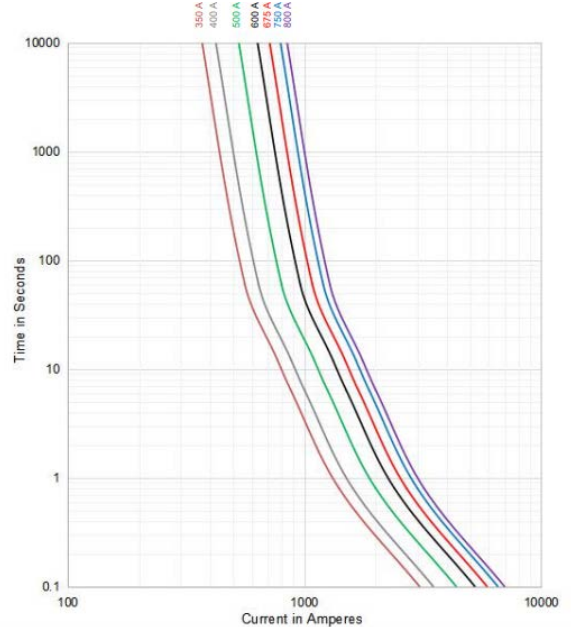
Dimensions : Millimetres

multicomp PRO

Time Current Curve: 30-325 A



Time Current Curve: 350-800 A



Part Number Table

Description	Part Number
Fuse, EV High Speed, 80V DC, 50A, M10 Bolt	MP010693
Fuse, EV High Speed, 80V DC, 80A, M10 Bolt	MP010694
Fuse, EV High Speed, 80V DC, 100A, M10 Bolt	MP010695
Fuse, EV High Speed, 80V DC, 150A, M10 Bolt	MP010696
Fuse, EV High Speed, 80V DC, 200A, M10 Bolt	MP010697
Fuse, EV High Speed, 80V DC, 250A, M10 Bolt	MP010698
Fuse, EV High Speed, 80V DC, 300A, M10 Bolt	MP010699
Fuse, EV High Speed, 80V DC, 325A, M10 Bolt	MP010700
Fuse, EV High Speed, 80V DC, 400A, M10 Bolt	MP010701
Fuse, EV High Speed, 80V DC, 500A, M10 Bolt	MP010702

Important Notice : This data sheet and its contents (the "Information") belong to the members of the AVNET group of companies (the "Group") or are licensed to it. No licence is granted for the use of it other than for information purposes in connection with the products to which it relates. No licence of any intellectual property rights is granted. The Information is subject to change without notice and replaces all data sheets previously supplied. The Information supplied is believed to be accurate but the Group assumes no responsibility for its accuracy or completeness, any error in or omission from it or for any use made of it. Users of this data sheet should check for themselves the Information and the suitability of the products for their purpose and not make any assumptions based on information included or omitted. Liability for loss or damage resulting from any reliance on the Information or use of it (including liability resulting from negligence or where the Group was aware of the possibility of such loss or damage arising) is excluded. This will not operate to limit or restrict the Group's liability for death or personal injury resulting from its negligence. Multicomp Pro is the registered trademark of Premier Farnell Limited 2019.