



Passive Components > Resistors > Through-Hole Resistors



Resistor Type: **Precision Resistor**

Passive Component Dimensions: **6.3 x 2.3 mm**

Number of Terminations: **2**

Packaging Method: **Ammo Packed**

Passive Component Tolerance: **.1 %**

Features

Product Type Features

Product Type	Fixed Resistor
Resistor Type	Precision Resistor
Element Type	Thin Film

Configuration Features

Number of Resistors	1
---------------------	---

Electrical Characteristics

Voltage Rating	250 V
Passive Component Tolerance	.1 %
Resistance Class	1M Ω – 1G Ω
Resistance Value	1M Ω
Power Rating	.25 W

Body Features

Passive Component Lead Type	Axial-Leaded
-----------------------------	--------------

Termination Features

Number of Terminations	2
Passive Component Termination Material Type	Tinned Copper Leads

Dimensions

Passive Component Dimensions	6.3 x 2.3 mm
------------------------------	--------------



Usage Conditions

Operating Temperature Range	-65 – 155 $^{\circ}$ C
Temperature Coefficient	± 15 ppm/ $^{\circ}$ C

Packaging Features

Packaging Method	Ammo Packed
------------------	-------------

Product Compliance

For compliance documentation, visit the product page on [TE.com](#)>

EU RoHS Directive 2011/65/EU	Compliant
EU ELV Directive 2000/53/EC	Compliant
China RoHS 2 Directive MIIT Order No 32, 2016	No Restricted Materials Above Threshold
EU REACH Regulation (EC) No. 1907/2006	Current ECHA Candidate List: JUNE 2022 (224) Candidate List Declared Against: JUNE 2022 (224) Does not contain REACH SVHC
Halogen Content	Low Halogen - Br, Cl, F, I < 900 ppm per homogenous material. Also BFR/CFR/PVC Free
Solder Process Capability	Reflow solder capable to 260 $^{\circ}$ C

Product Compliance Disclaimer

This information is provided based on reasonable inquiry of our suppliers and represents our current actual knowledge based on the information they provided. This information is subject to change. The part numbers that TE has identified as EU RoHS compliant have a maximum concentration of 0.1% by weight in homogenous materials for lead, hexavalent chromium, mercury, PBB, PBDE, DBP, BBP, DEHP, DIBP, and 0.01% for cadmium, or qualify for an exemption to these limits as defined in the Annexes of Directive 2011/65/EU (RoHS2). Finished electrical and electronic equipment products will be CE marked as required by Directive 2011/65/EU. Components may not be CE marked. Additionally, the part numbers that TE has identified as EU ELV compliant have a maximum concentration of 0.1% by weight in homogenous materials for lead, hexavalent chromium, and mercury, and 0.01% for cadmium, or qualify for an exemption to these limits as defined in the Annexes of Directive 2000/53/EC (ELV). Regarding the REACH Regulation, the information TE provides on SVHC in articles for this part number is based on the latest European Chemicals Agency (ECHA) 'Guidance on requirements for substances in articles' posted at this URL: <https://echa.europa.eu/guidance-documents/guidance-on-reach>

Compatible Parts



Also in the Series | **Neohm R**

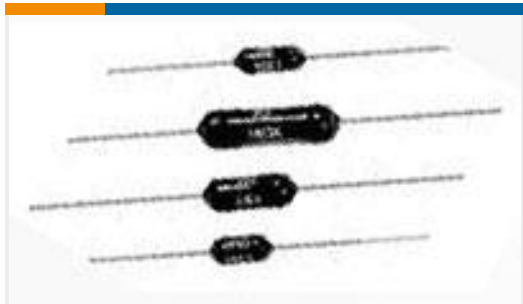


Eurocard Connectors(1)



Through-Hole Resistors(484)

Customers Also Bought



TE Part #8-1879663-6
H8 825R 0.1% 15PPM



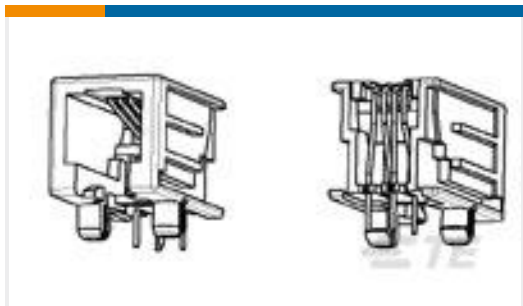
TE Part #2-2176092-7
RP 2A 0.25W 1K3 0.1% 25PPM 1K RL



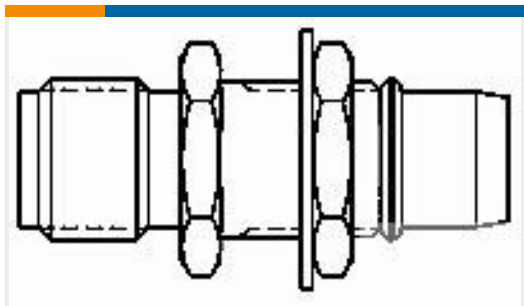
TE Part #1879026-4
YR1 0.1% 10R



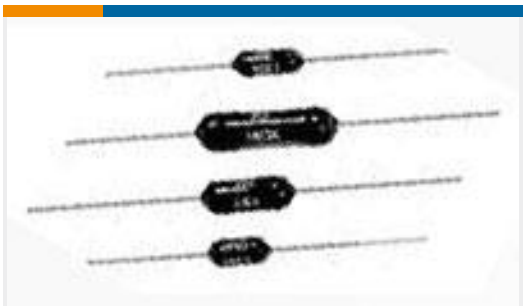
TE Part #8-1879026-9
YR1 0.1% 499K



TE Part #1705950-2
Modular Jack SE, 6/4, Gold flash



TE Part #1757459-1
ADAPTER, SMA JACK TO OSP PLUG,
BULKHEAD



TE Part #3-1879696-1
H8 274K 0.1% 100PPM



TE Part #3-2176387-9
RQ 1206 332K 0.1% 10PPM 1K RL

Documents

CAD Files

3D PDF

3D

Customer View Model

[ENG_CVM_CVM_2-1676913-7_BA.2d_dxf.zip](#)

English

Customer View Model

[ENG_CVM_CVM_2-1676913-7_BA.3d_igs.zip](#)

English

Customer View Model

[ENG_CVM_CVM_2-1676913-7_BA.3d_stp.zip](#)

English

By downloading the CAD file I accept and agree to the [Terms and Conditions](#) of use.

Datasheets & Catalog Pages

[1309350_PASSIVE_COMPONENT](#)

English



[Precision Metal Film Fixed Resistors - Type R Series - Tyco Electronics Passives](#)

English

[Product Environmental Compliance](#)

[TE Material Declaration](#)

English