

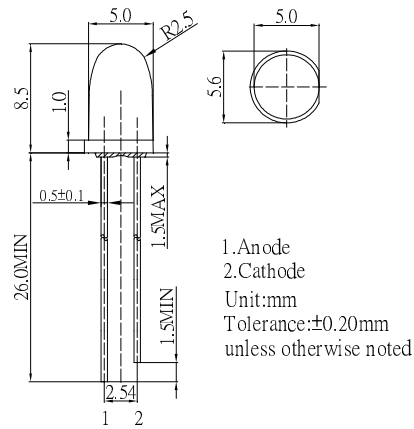
■ Features

- High Lumen LEDs
- 5mm Bullet Standard Directivity
- UV Resistant Epoxy
- Water Clear Type

■ Applications

- Electronic Signs And Signals
- Small Area Illuminations
- Back Lighting/ Other Lighting

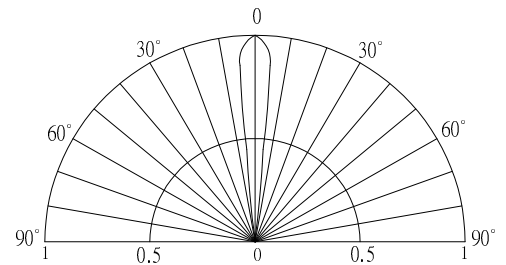
■ Outline Dimension



■ Absolute Maximum Rating (Ta=25°C)

Item	Symbol	Value		Unit
		W/B/PG	Y/O/R	
DC Forward Current	I _F	30	30	mA
Pulse Forward Current#	I _{FP}	100	100	mA
Reverse Voltage	V _R	5	5	V
Power Dissipation	P _D	102	78	mW
Operating Temperature	Topr	-30 ~ +85		°C
Storage Temperature	Tstg	-40~ +100		°C
Lead Soldering Temperature	Tsol	260°C/5sec		-

■ Directivity



#Pulse width Max.10ms Duty ratio max 1/10

■ Electrical -Optical Characteristics (Ta=25°C)

Part Number	Color		V _F (V)*			I _R (μA)	Φ _v (LM)*			I _v (mcd)*			Wd(nm)*			2θ1/2(deg)	
			Min.	Typ.	Max.		Min.	Typ.	Max.	Min.	Typ.	Max.	Min.	Typ.	Max.		
			I _F =30mA			V _R =5V			I _F =30mA								
OSW44P5201A	Pure White	W	-	2.9	3.4	10	8.5	10	-	60000	72000	-	5500-8500K(X:0.31,Y:0.33)			8	
OSM54P5201A	Warm White	M	■	-	2.9	3.4	10	8.5	10	-	60000	72000	-	2700-3200K(X:0.44,Y:0.41)			8
OSB56P5201A	Blue	B	■	-	2.9	3.4	10	2.5	3.0	-	25000	30000	-	465	470	475	8
OSG56P5201A	Pure Green	PG	■	-	2.9	3.4	10	8.5	10	-	60000	72000	-	520	525	530	8
OS5YKP5201A	Yellow	Y	■	-	2.1	2.6	10	3.5	4.5	-	43000	50000	-	585	590	595	8
OS5OKP5201A	Orange	O	■	-	2.1	2.6	10	3.5	4.5	-	43000	50000	-	600	605	610	8
OS5RKP5201A	Red	R	■	-	2.1	2.6	10	3.5	4.5	-	43000	50000	-	620	625	630	8

*1 Tolerance of measurements of chromaticity coordinate is ±10%
 *2 Tolerance of measurements of dominant wavelength is ±1nm
 *3 Tolerance of measurements of luminous flux is ±15%
 *4 Tolerance of measurements of forward voltage is ±0.1V

LED & Application Technologies

