

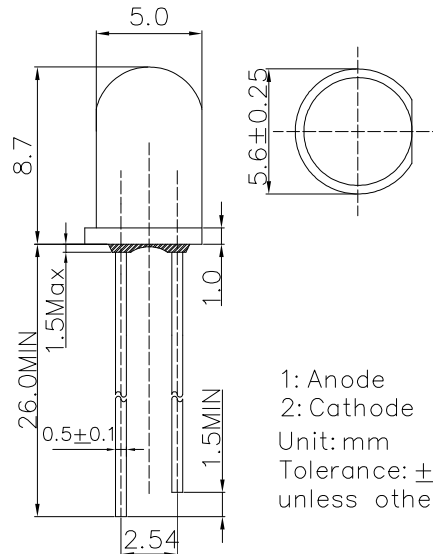
■ **Features**

- Normal Bright LEDs
- 5mm Standard Directivity
- UV Resistant Epoxy
- Color Diffused Type

■ **Applications**

- Toys
- Games
- Audio
- Christmas Light
- Indications

■ **Outline Dimension**

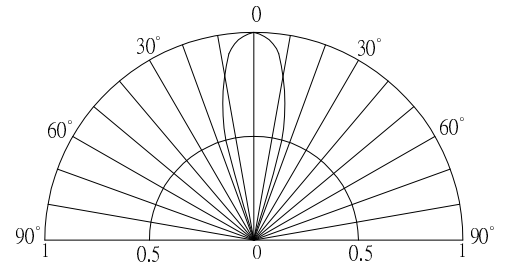


■ **Absolute Maximum Rating**

( $T_a=25^\circ\text{C}$ )

| Item                       | Symbol    | Value                      | Unit             |
|----------------------------|-----------|----------------------------|------------------|
|                            |           | NG/NY/NR                   |                  |
| DC Forward Current         | $I_F$     | 30                         | mA               |
| Pulse Forward Current#     | $I_{FP}$  | 100                        | mA               |
| Reverse Voltage            | $V_R$     | 5                          | V                |
| Power Dissipation          | $P_D$     | 72                         | mW               |
| Operating Temperature      | $T_{opr}$ | -30 ~ +85                  | $^\circ\text{C}$ |
| Storage Temperature        | $T_{stg}$ | -40 ~ +100                 | $^\circ\text{C}$ |
| Lead Soldering Temperature | $T_{sol}$ | 260 $^\circ\text{C}$ /5sec | -                |

■ **Directivity**



#Pulse width Max.10ms Duty ratio max 1/10

■ **Electrical -Optical Characteristics**

( $T_a=25^\circ\text{C}$ )

| Part Number | Color        |    |   | $V_F$ (V)         |      |      | $I_R$ ( $\mu\text{A}$ ) | $I_v$ (mcd)       |      |      | $\lambda D$ (nm) |      |      | $\theta_{1/2}$ (deg) |
|-------------|--------------|----|---|-------------------|------|------|-------------------------|-------------------|------|------|------------------|------|------|----------------------|
|             |              |    |   | Min.              | Typ. | Max. | Max.                    | Min.              | Typ. | Max. | Min.             | Typ. | Max. | Typ.                 |
|             |              |    |   | $I_F=20\text{mA}$ |      |      | $V_R=5\text{V}$         | $I_F=20\text{mA}$ |      |      |                  |      |      |                      |
| OSNG5134A   | Yellow Green | NG | ■ | 1.8               | 2.0  | 2.4  | 10                      | 10                | 15   | -    | 565              | 570  | 575  | 30                   |
| OSNY5134A   | Yellow       | NY | ■ | 1.8               | 2.0  | 2.4  | 10                      | 15                | 20   | -    | 585              | 590  | 595  | 30                   |
| OSNR5134A   | Red          | NR | ■ | 1.8               | 2.0  | 2.4  | 10                      | 10                | 15   | -    | 630              | 640  | 650  | 30                   |

\*1 Tolerance of measurements of dominant wavelength is  $\pm 1\text{nm}$

\*2 Tolerance of measurements of luminous intensity is  $\pm 15\%$

\*3 Tolerance of measurements of forward voltage is  $\pm 0.1\text{V}$