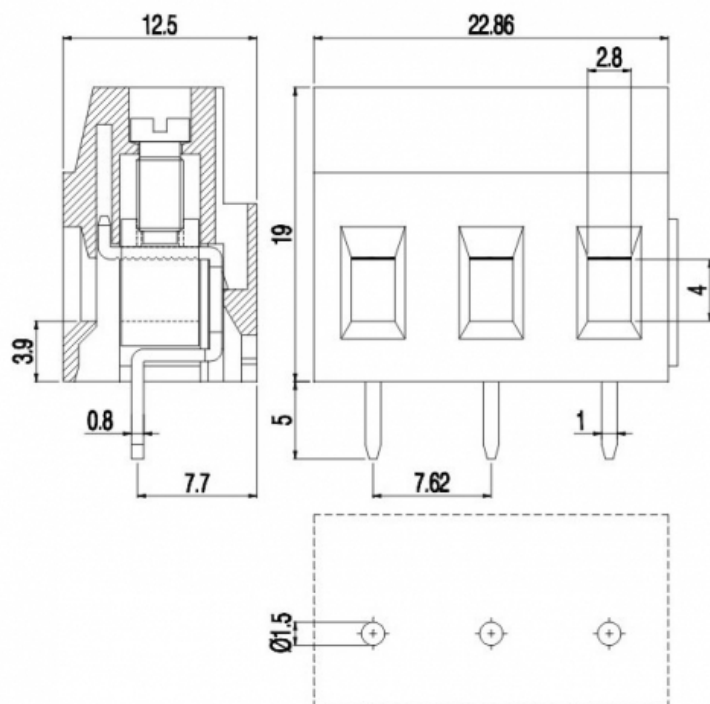


MVSP27x-7,62-V euroclamp



Single-deck terminal block - Modular version - Pitch 7,62mm - 2÷3 poles

GENERAL INFORMATION

pitch:	7,62 mm
housing height:	19,00 mm
housing depth:	12.5 mm
dimensional class:	medium
wire section:	2.5 mm ² / 14 AWG
clamp opening size:	2.8 × 4 mm
wire stripping:	max 9.5 mm
operating temperature:	-40°C ÷ +130°C

ELECTRICAL CHARACTERISTICS

current:	24A
voltage:	750V
test voltage:	3 kVrms/60s

MECHANICAL CHARACTERISTICS

screw:	M3
max. torque:	0.8 Nm / 7.2 in.lbs

APPROVALS DATA



EN 60998-1

current:	24A
voltage:	750V
wire section:	2.5mm ²
torque:	0.8Nm
FILE:	CA02.00599



-
-
-
-
-



UL 1059
20A factory / 15A field
300V
14÷30AWG
4.5Lb-in
E178356

MATERIALS

AVAILABLE COLOURS

housing: PA - UL 94 V0
 screw: Galvanized steel
 clamp/spring: Nickeled copper alloy
 terminal: Tin-plated copper alloy



other colours:

upon request

poles	P/N	pcs/pack	W [Kg]*	W [Kg]*
2	MVSP272-7,62-V	N/A	N/A	N/A
3	MVSP273-7,62-V	N/A	N/A	N/A
..	MVSP27...-7,62-V	N/A	N/A	N/A