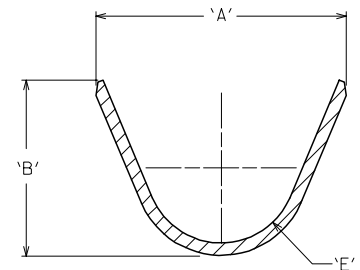
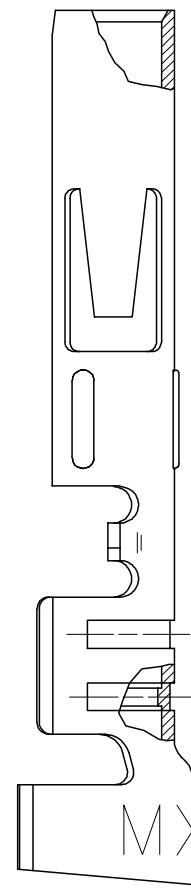
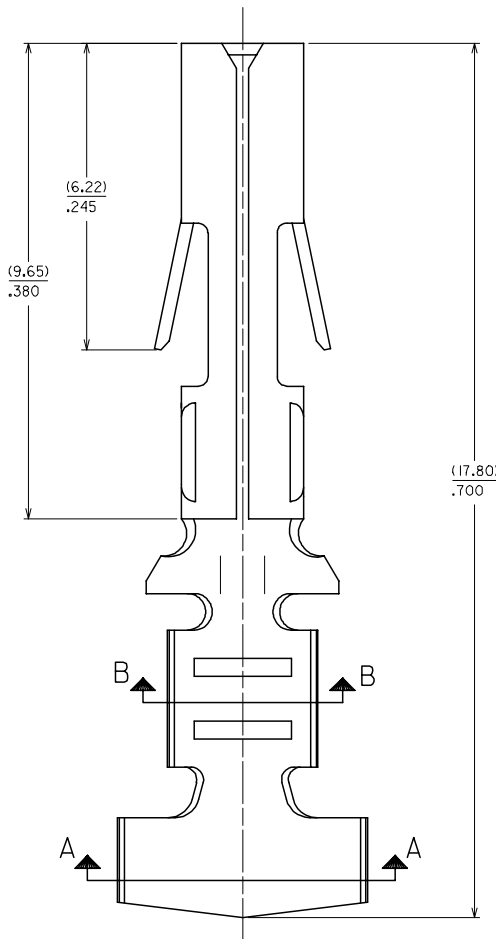
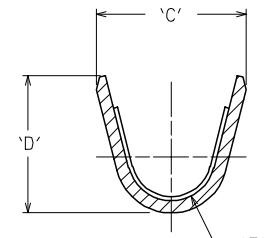


EDP NO.	ENG NO.	FORM	'A'	'B'	'C'	'D'	'E'	'F'
02-08-1201	8980-3C	CHAIN,14-20 AWG WIRE	(4.44)	(3.39)	(3.02)	(3.61)	(1.23)	(0.61)
02-08-1202	8980-3L	LOOSE,14-20 AWG WIRE	.175	.133	.119	.142	.048	.024

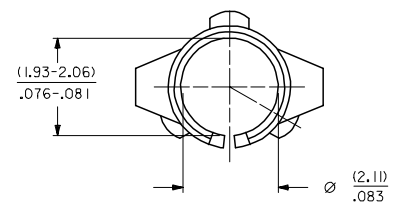
- NOTES:
 1. FINISH: (.00089)/.000035 MN. TIN OVER
 (.00051)/.000020 MIN COPPER (COPPER PLATE REFLOWED)
 2. MATERIAL: (.025)/.010 THK PHOS
 BRONZE, ALLOY CA 51000.



SECTION A-A



SECTION B-B



REV	DESCRIPTION
0	

OBS060702
 EC NO: S2007-0797
 DRWN: GEMARLY 2007/03/30
 CHKD: SKANG 2007/04/03
 APPR: MLONG 2007/04/03

QUALITY SYMBOLS	DESCRIPTION
▽=0	
▽C=0	

GENERAL TOLERANCES (UNLESS SPECIFIED)	
mm	INCH
4 PLACES ± .010	± .0004
3 PLACES ± .025	± .0010
2 PLACES ± .050	± .0020
1 PLACE ± .125	± .0050
ANGULAR ± 1 °	

DIMENSION STYLE	
MM	IN
4 PLACES ± .010	± .0004
3 PLACES ± .025	± .0010
2 PLACES ± .050	± .0020
1 PLACE ± .125	± .0050

SCALE	DESIGN UNITS	THIRD ANGLE PROJECTION
NTS	METRIC	THIRD ANGLE PROJECTION
DRAWN BY TAY DATE 1987/12/15		TITLE TERMINAL SOCKET DIA. (2.096)/.0825
CHECKED BY AT DATE 1987/12/15		
APPROVED BY AB DATE 1987/12/15		MOLEX INCORPORATED
MATERIAL NO. SEE TABLE		
DOCUMENT NO. SD-8980-3*		SHEET NO. 1 OF 1