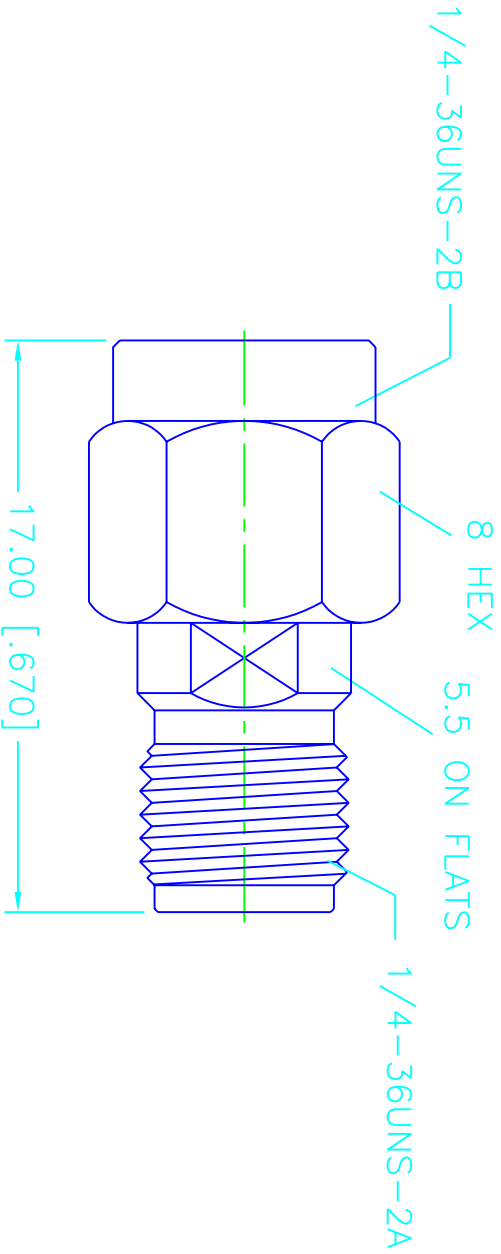


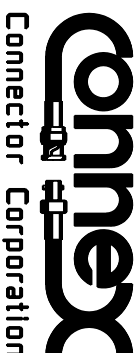
REV.	DATE	DESCRIPTION
NC	01/29/00	INITIAL RELEASE



DESCRIPTION	MATERIAL	FINISH	UNLESS OTHERWISE SPECIFIED DIMENSIONS ARE IN MILLIMETERS
1 BODY	BRASS	GOLD	DIMENSIONS IN [] ARE IN INCHES FOR CUSTOMER REFERENCE ONLY
2 INSULATOR	TEFLON	NATURAL	
3 CONTACT PIN	BRASS	GOLD	UNLESS OTHERWISE SPECIFIED TOLERANCES FOR MILLIMETERS ARE: 0.5-6 = ± 0.2 6-30 = ± 0.4 30-120 = ± 0.6 120-315 = ± 1 315-1000 = ± 1.6 1000-2000 = ± 2.4
4 RETAINER RING	BER. COPPER	GOLD	
5 GASKET	SILICONE	RED	
6			
7			
8			

APPROVALS	DATE
DRAWN G.R.S.	01/29/00
CHECKED	
ISSUED	

DO NOT SCALE DRAWING	
----------------------	--

	
TITLE SMA PLUG TO REVERSE POLARIZED SMA JACK ADAPTOR	
SIZE A	FSCM NO. 99001
SCALE NA	PART NO. 132171RP
	DWG. NO. 132171RP.DWG
	SHEET 1 OF 1
	REV. NC