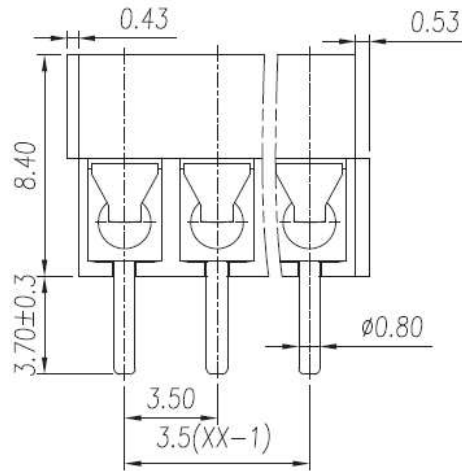
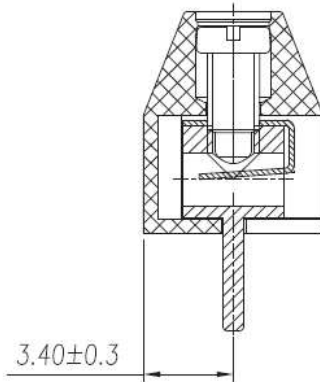
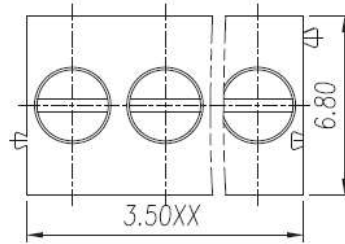


P.C.B. LAYOUT



UL/CUL 技术参数		UL/CUL Technical Data		
等级	Use Group	B	C	D
额定电压	Rated Voltage [V]	125	-	-
额定电流	Rated Current [A]	10	-	-
接线范围	Wire Range	24-18		
单/多芯线	Solid/Stranded [AWG]			
耐电压	Withstanding Voltage	1250V/1Min		
IEC 技术参数		IEC Technical Data		
过电压类别	Ovenvoltage Category	III	III	II
污染等级	Contamination Class	3	2	2
额定电压	Rated Voltage [V]	160	250	320
额定电流	Rated Current [A]	13.5	13.5	13.5
额定冲击电压	Impulse withstand voltagea [KV]	2.5	2.5	2.5
导线截面积	Conductor cross section	0.5-1.0		
硬质/柔性导线	Solid/flexible [mm ²]			
材料		Material		
绝缘材料	Insulation Material	PA66		
阻燃等级	Imflammability	UL94V-0		
导体材料	Contactior Material	铜合金 Copper alloy		
导体表面镀层	Contactive Coating	镀锡 Sn Plated		
一般参数		Other Data		
间距	Pitch /极数 Poles [mm] / [P]	3.5 / 02~24		
剥线长度	Stripping Length [mm]	5~6		
螺丝	Screw/扭矩 Torque(Max) [N.m]	M2/0.2		
工作温度	Operating temperatur [°C]	-40~105		
引针尺寸	Pin Dimensions [mm]	Ø0.8		
PCB板孔径	PCB Hole Diameter [mm]	Ø1.0		

REV	DATE	MODIFICATION HISTROY	CHANGE	APPROVE	TOLERANCE		UNIT		NAME	Terminal Block
					X.X	± 0.30	SIZE	mm		
					X.XX	± 0.20	Orthographic Projection		PART NO	
					X.XXX	± 0.15				