

Waterproof USB 2.0 Jack

multicomp PRO



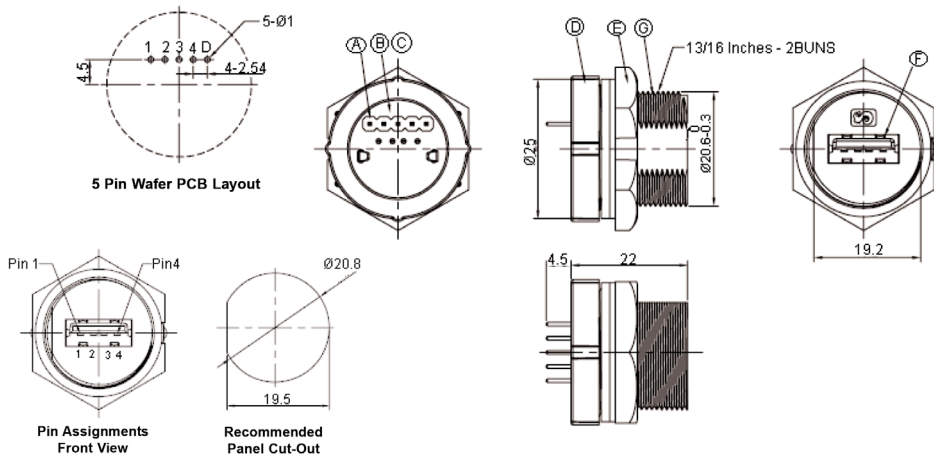
Specifications

Waterproof Rate : IP67
 IP67 : Immersed in 1m water for 30 minutes

Electrical Characteristics

Rating : 30V 1A
 Max. Contact Resistance : 30 mΩ (Initial)
 Dielectric Withstanding Voltage : 500V AC for one minute
 Min. Insulation Resistance : 100MΩ Measured by 500 V dc
 Other general specifications to refer 2UB1518 series specifications
 Max. Insertion Force : 3.5 Kgf
 Min. Withdraw Force : 0.5 Kgf
 To conform to hazardous substance free specifications
 For panel thickness maximum of 4mm

Diagram



Dimensions : Millimetres

Specification Table

Description	Material	Plating and Colour
Wafer	5 Pin 2.54 Pitch	Black
PCB	FR-4	Green
O-Ring	EPDM	Black
Sealing Nut	PPE	
Screw Nut		
USB A Jack	P/N:2UB1518-000111	N / A
Housing	PPE	Black

Part Number Table

Description	Part Number
USB Type A, Receptacle, IP67	2UB3001-W05100

Important Notice : This data sheet and its contents (the "Information") belong to the members of the AVNET group of companies (the "Group") or are licensed to it. No licence is granted for the use of it other than for information purposes in connection with the products to which it relates. No licence of any intellectual property rights is granted. The Information is subject to change without notice and replaces all data sheets previously supplied. The Information supplied is believed to be accurate but the Group assumes no responsibility for its accuracy or completeness, any error in or omission from it or for any use made of it. Users of this data sheet should check for themselves the Information and the suitability of the products for their purpose and not make any assumptions based on information included or omitted. Liability for loss or damage resulting from any reliance on the Information or use of it (including liability resulting from negligence or where the Group was aware of the possibility of such loss or damage arising) is excluded. This will not operate to limit or restrict the Group's liability for death or personal injury resulting from its negligence. Multicomp Pro is the registered trademark of Premier Farnell Limited 2019.

Newark.com/multicomp-pro
 Farnell.com/multicomp-pro
 Element14.com/multicomp-pro

multicomp PRO