

CRIMPING TOOL

PROFESSIONAL COAXIAL CRIMPING TOOL

Made of carbon steel and hardened with blackoxide finished

Model No. - HT-336FM Framel only

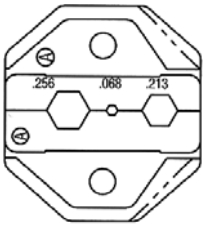
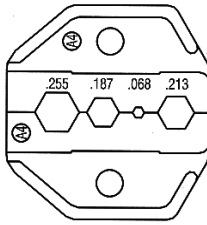
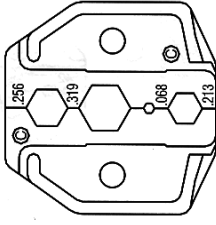
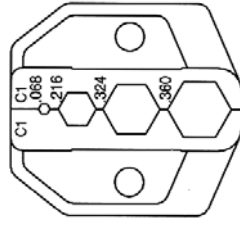
Die - HT-336 series Die sets are interchangeable

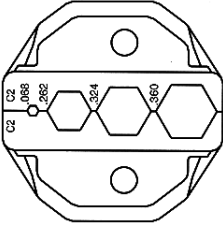
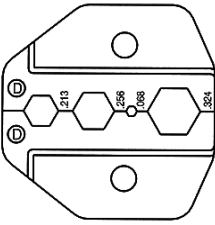
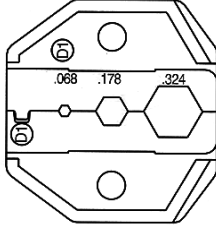
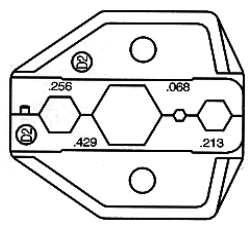
Die - HT-236 series Die sets are interchangeable

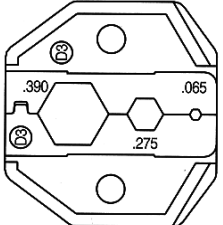
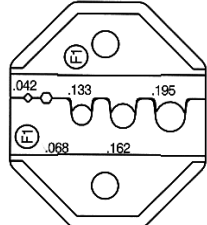
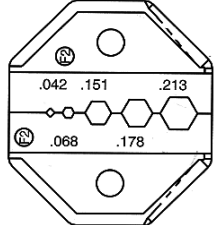
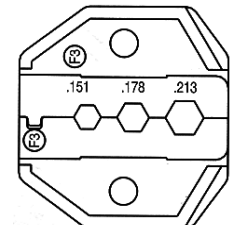
Die - HT-301 series Die sets are unchangeable

Die - HT-311 series Die sets are unchangeable

HT-236 series Modular crimping tool, Die set is riveted on tool and is unchangeable

Item No.	HT-5133A/HT-336A	HT-5133A4/HT-336A4	HT-5133C/HT-336C	HT-5133C1/HT-336C1
				
Die P/N	3A	3A4	3C	3C1
Specifications	.256"/.068"/.213" 6.50/1.73/5.41mm	.255"/.187"/.068"/.213" 6.48/4.75/1.73/5.41mm	.256"/.319"/.068"/.213" 6.50/8.10/1.73/5.41mm	.068"/.216"/.324"/.360" 1.73/5.49/8.23/9.14mm
Crimping Cable Size	RG58,59,62	RG58,59,62,174	RG58,59,62,6	RG58,59,62,6

Item No.	HT-5133C2/HT-336C2	HT-5133D/HT-336D	HT-5133D1/HT-336D1	HT-5133D2/HT-336D2
				
Die P/N	3C2	3D	3D1	3D2
Specifications	.068"/.262"/.324"/.360" 1.73/6.65/8.23/9.14mm	.213"/.256"/.068"/.324" 5.41/6.50/1.73/8.23mm	.068"/.178"/.324" 1.73/4.52/8.23mm	.256"/.429"/.068"/.213" 6.50/10.90/1.73/5.41mm
Crimping Cable Size	CATV "F" Connectors RG59,6	RG58,59,62,6	RG58,6,174	RG58,59,62,11,8,213

Item No.	HT-5133D3/HT-336D3	HT-5133F1/HT-336F1	HT-5133F2/HT-336F2	HT-5133F3/HT-336F3
				
Die P/N	3D3	3F1	3F2	3F3
Specifications	.390"/.275"/.065" 9.90/6.98/1.65mm	.042"/.068"/.133"/.162"/.195" 1.07/1.73/3.38/4.11/4.95mm	.042"/.068"/.151"/.178"/.213" 1.07/1.73/3.84/4.52/5.41mm	.151"/.178"/.213" 3.84/4.52/5.41mm
Crimping Cable Size	RG213,6,8,59	Fiber Optic SMA (Oval Type)	Fiber Optic SMA, SMB Conn. RG58,174, Belden 8281	RG58,174,179

Item No.	HT-5133F4/HT-336F4	HT-5133G/HT-336G	HT-5133G1/HT-336G1	HT-5133G2/HT-336G2
Die P/N	3F4	3G	3G1	3G2
Specifications	.151"/.178"/.134"/.139"/.190" 3.84/4.52/3.40/3.53/4.83mm	.043"/.100"/.213"/.255" 1.09/1.73/2.54/3.48/5.41/6.48mm	.042"/.068"/.190"/.213" 1.07/1.73/4.83/5.41mm	.235"/.128"/.065"/.042" 5.97/3.25*1.65/1.07mm
Crimping Cable Size	Fiber Optic ST, SC, LC Connectors	Fiber Optic RG58,59,62,174	Fiber Optic RG58	RG58,174,139,185

Item No.	HT-5133G3/HT-336G3	HT-5133G4/HT-336G4	HT-5133H1/HT-336H1	HT-5133H2/HT-336H2
Die P/N	3G3	3G4	3H1	3H2
Specifications	.042"/.068"/.255"/.324" 1.07/1.73/6.48/8.23mm	.042"/.068"/.178"/.278"/.255" 1.07/1.73/4.52/7.06/6.48mm	.255"/.320"/.350" 6.48/8.13/8.89mm	.320"/.210"/.185" 8.13/5.33/4.70mm
Crimping Cable Size	RG174,58,59,6	RG59,62,174	CATV F Connectors RG59,6	RG58,6

Item No.	HT-5133I/HT-336I	HT-5133J/HT-336J	HT-5133K/HT-336K	HT-5133K2/HT-336K2
Die P/N	3I	3J	3K	3K2
Specifications	.255"/.211"/.093"/.067"/.315" 6.46/5.36/2.36/1.70/8.0mm	.042"/.078"/.151"/.178" 1.07/1.73/1.98/3.25/3.84/4.52mm	.100"/.128"/.429" 2.54/3.25/10.90mm	.038"/.256"/.429" 1.73/6.50/10.90mm
Crimping Cable Size	RG58,59,6,174	Fiber Optic RG174,179 Belden 8218	RG8,11,174,179,213	RG8,11,59,62

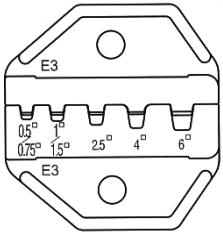
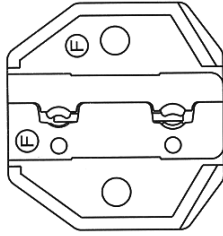
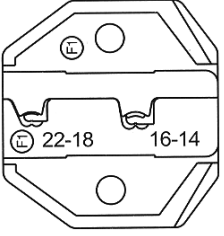
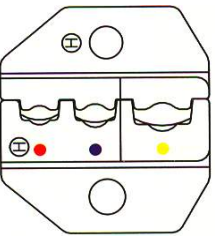
Item No.	HT-5133K3/HT-336K3	HT-5133K4/HT-336K4	HT-5133K5/HT-336K5	HT-5133K6/HT-336K6
Die P/N	3K3	3K4	3K5	3K6
Specifications	.256"/.068"/.295" 6.50/1.73/7.49mm	.100"/.128"/.190"/.213" 2.54/3.25/4.83/5.41mm	.080"/.100"/.429" 2.03/2.54/10.90mm	.429"/.075"/.075" 10.90/1.91/1.91mm
Crimping Cable Size	RG59,6	Fiber Optic RG58,174	RG11,174,213	RG11,213

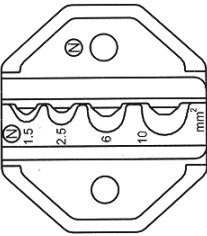
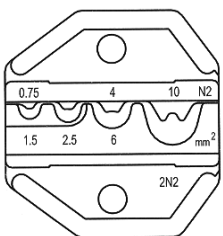
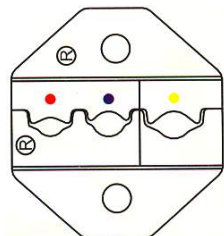
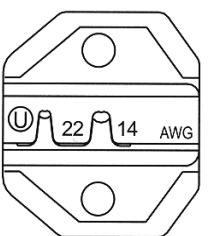
Item No.	HT-5133M/HT-336M	HT-5133P1/HT-336P1	HT-5133T1I/HT-336T1	HT-5133V/HT-336V
Die P/N	3M	3P1	3T1	3V
Specifications	.228"/.068"/.305" 5.79/1.73/7.75mm	.255"/.213"/.098"/.068"/.321" 6.48/5.41/2.49/1.73/8.15mm	.028"/.039"/.047"/.100"/.128"/.151" 0.71/0.99/1.19/2.54/3.25/3.84mm	.043"/.069"/.100"/.128"/.151"/.213" 1.09/1.75/2.54/3.25/3.84/5.41mm
Crimping Cable Size	RG58,59,6,62,142	Rg58,59,62,6	RG174,178,179,180,187	SMA, SMB, SMC, MCX

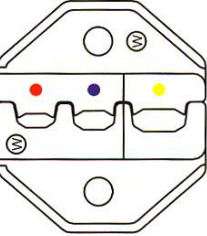
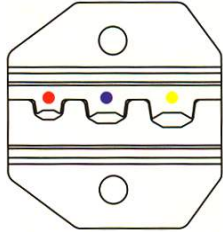
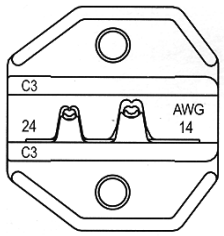
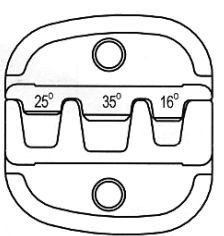
Item No.	HT-5133V1/HT-336V1	HT-5133Y/HT-336Y	HT-5133Y1/HT-336Y1	HT-5133Y2I/HT-336Y2
Die P/N	3V1	3Y	3Y1	3Y2
Specifications	.047"/.068"/.178"/.217"/.256"/.330" 1.19/1.73/4.52/5.51/6.50/8.38mm	.044"/.057"/.068"/.220"/.213" 1.12/1.45/1.73/5.59/5.41mm	.218"/.069" 5.54/1.75mm	.042"/.240" 1.07/6.10mm
Crimping Cable Size	Fiber Optic RG59,62,6,174	RG58	RG58 (Oval Type)	Pin Terminal, Insulated or Non-insulated Ferrules (Oval)

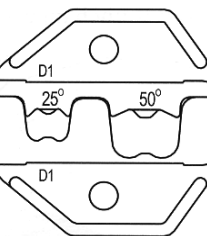
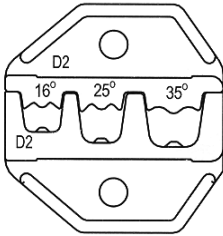
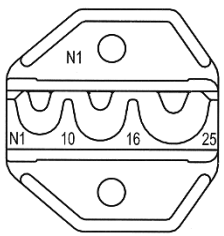
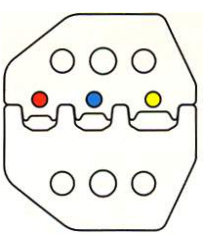
Item No.	HT-5132C/HT-236C	HT-5132CL	HT-5132C2/HT-236C2	HT-5132C3/HT-236C3
Die P/N	2C	2CL (w/Locator)	2C2	2C3
Specifications	AWG 20-18/16-14/12-10 DIN 0.5-1/1.5-2.5/4-6mm ²	AWG 20-18/16-14/12-10 DIN 0.5-1/1.5-2.5/4-6mm ²	AWG 20-18/16-14 DIN 0.5-1.0/1.5-2.5mm ²	AWG 24-30/18-22 DIN 0.25-0.05/1.0-0.5mm ²
Crimping Cable Size	Non-insulated Terminal or Open Barrel Terminal	Non-insulated Terminal or Open Barrel Terminal	Non-insulated Terminal or Open Barrel Terminal	D-Sub Terminal

Item No.	HT-5132C4/HT-236C4	HT-5132E/HT-236E	HT-5132E1/HT-236E1	HT-5132E2/HT-236E2
Die P/N	2C4	2E	2E1	2E2
Specifications	AWG 24-28/20-22 DIN 0.25-0.08/0.75-0.5mm ²	AWG 22/20/18/16/14/12 DIN 0.5/0.75/1.0/1.5/2.5/4mm ²	AWG 10/8/6 DIN 6/10/16mm ²	AWG 22/20/18/16/14/12/10/8/6 DIN 0.5/0.75/1.0/1.5/2.5/4/6/10/16mm ²
Crimping Cable Size	D-Sub Terminal	Pin Terminal, Insulated or Non-insulated Ferrules	Pin Terminal, Insulated or Non-insulated Ferrules	Terminal, Insulated or Non-insulated Ferrules

Item No.	HT-5132E3/HT-236E3	HT-5132F/HT-236F	HT-5132F1/HT-236F1	HT-5132H/HT-236H
				
Die P/N	2E3	2F	2F1	2H
Specifications	AWG 22/20/18/16/14/12/10 DIN 0.5/0.75/1.0/1.5/2.5/4/6mm ²	AWG 22-18/16-14 DIN 0.5-1.0/1.5-2.5mm ²	AWG 22-18/16-14 DIN 0.5-1.0/1.5-2.5mm ²	AWG 22-18/16-14/12-10 DIN 0.5-1.0/1.5-2.5/4.6mm ²
Crimping Cable Size	Terminal, Insulated or Non-insulated Ferrules	Insulated Flag Terminal	Non-Insulated Flag Terminal	Insulated Terminal



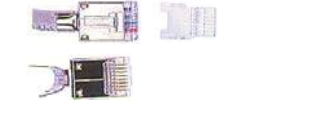

Item No.	HT-5132N/HT-236N	HT-5135N2	HT-5132R/HT-236R	HT-5132U/HT-236U
				
Die P/N	2N	5N2	2R	2U
Specifications	AWG 20-18/16-14/12-10/8 DIN 1.5/2.5/6/10mm ² JIS 1.25/2.0/5.5/8 mm ²	AWG 18-16/14/12-10/8 DIN 0.75-1.5/2.5/4-6/10mm ²	AWG 22-18/16-14/12-10 JIS 1.25/2.0/5.5mm ²	AWG 14-22 DIN 2.5-0.5mm ²
Crimping Cable Size	Non-insulated Terminal	Non-insulated Terminal	Vinyl Insulated w/o Copper Sleeve	Non-insulated, Open Barrel & D-sub, V.35 Terminal



Item No.	HT-5132W/HT-236W	HT-5132W1/HT-236W1	HT-5135C3	HT-5135D
				
Die P/N	2W	2W1	5C3	5D
Specifications	AWG 22-18/16-14/12-10 DIN 0.5-1.0/1.5-2.5/4-6mm ²	AWG 26-16	AWG 24/14 DIN 0.25/2.5mm ²	AWG 4/2/6 DIN 25/35/16mm ²
Crimping Cable Size	Insulated Terminal	Insulated Terminal	DIN Spec. Open Barrel Terminal	Pin Terminal Insulated or Non-insulated Ferrules

Item No.	HT-5135D1	HT-5135D2	HT-5135N1	HT-301
				
Die P/N	5D1	5D2	5N1	unchangeable
Specifications	AWG 4/1 DIN 25/50mm ²	AWG 6/4/2 DIN 16/25/35mm ²	AWG 8/6/4 DIN 10/16/25mm ²	AWG 22-18/16-14/12-10 DIN 0.5-1.0/1.5-2.5/4-6mm ²
Crimping Cable Size	Pin Terminal Insulated or Non-insulated Ferrules	Pin Terminal Insulated or Non-insulated Ferrules	Non-insulated Terminal	Insulated Terminal

Item No.	HT-236-4P	HT-236-6P	HT-236-8P	HT-236-68P
Crimping Modular plug	4P4C/RJ22	6P2C, 6P4C/RJ11, 6P76C/RJ12	8P8C/RJ45	6P2C, 6P4C/RJ11, 6P6C/RJ12, 8P8C/RJ45

Item No.	HT-236-8PAMP	HT-236-10P	HT-236BT	HT-236DEC
Crimping Modular plug	AMP 8P8C/RJ45 (Secondary strain relief)	10P10C	6P British plugs	6P6C DEC/Off set

Item No.	HT-236M5	HT-236M6	HT-236Q	HT-236Q1
Crimping Modular plug	 Molex 8P8C/RJ45 Plug & Cable O/D around 5.2Φ	 Molex 8P8C/RJ45 Plug & Cable O/D around 5.8Φ	 HC-002-8S 8P8C/RJ45 Shielded plug (Hirose type short body)	 Hirose 8P8C/RJ45 Shielded Plug

Item No.	HT-236Q3	HT-236S
Crimping Modular plug	 ADSL 6P4C/RJ11 Shielded Plugs	 Stewart 8P8C/RJ45 Shielded Plugs

HT-236 Frame



HT-513FM (Frame only)



HT-336FM (Frame only)

