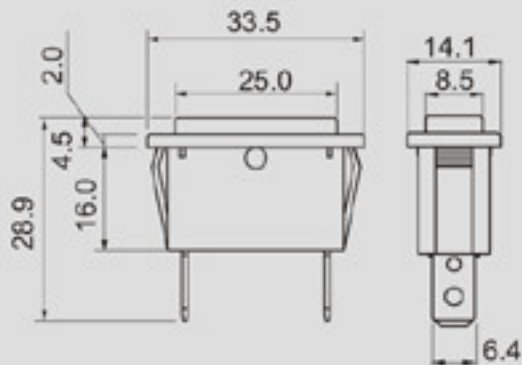


R9-70N



±0.5~3.0mm

DC500V 100MΩ

110/220V AC

AC 1500V 1minute

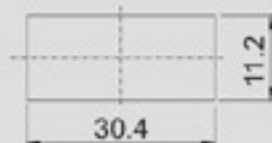
Red, Yellow, Green

-20°C~+80°C

TERMINAL

0 1  .250" SQ

CUT-OUT



FEATURES:

- Material:
 - Lens: PC (UL flame : 94V-2).
 - Body: nylon (UL flame: 94V-1).
 - Terminal: silver plated brass.
- Mounting: snap-in type.