

Specification

Lithium Polymer Battery Pack (LP603048) 850mAh 3.7V with Protection Circuit Module (PCM)
 This data sheet describes the requirements and properties of lithium polymer rechargeable battery pack manufactured by Cellevia

Mechanical Characteristics

Type number: LP603048
 Designation IEC system: Lithium polymer battery pack
 Length: 48 ± 0.4 mm
 Width: 30 ± 0.4 mm
 Thickness: 6.0 ± 0.2 mm
 Cable: 150 ± 3.0 mm (26AWG UL 1007)
 Weight: appr. 18.0g
 Connector: JST 2.54 male & female connectors

Electrical Specification

Rated capacity: 850mAh min, 880mAh typ.
 Nominal voltage: 3.7V
 Max. operating voltage range: 3.0V to 4.2V
 Charge voltage: 4.2 ± 50 mV
 Initial charge current: Standard charge: 425mA
 Rapid charge: 850mA
 Charging cut-off (A or B)
 A) By time: Standard charge: 7 hours
 Rapid charge: 4 hours
 B) By min. current: 17.0mA
 Max continuous discharge current: 850mA
 Exp. cycle life: >500 cycles >70% of initial cap. (0.5C/0.5C)
 Internal impedance (1kHz): approx 52mOhm
 Cell protection
 Overcharge detection: 4.325 ± 25 mV
 (0.5 to 2.0 sec. delay, resume 4.075 ± 50 mV)
 Overdischarge detection: $3.00V \pm 25$ mV
 (6.25 to 250msec. delay, resume $2.9V \pm 100$ mV)

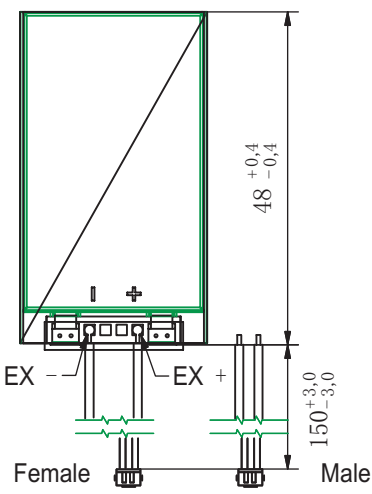
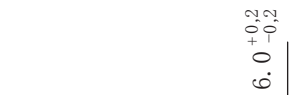
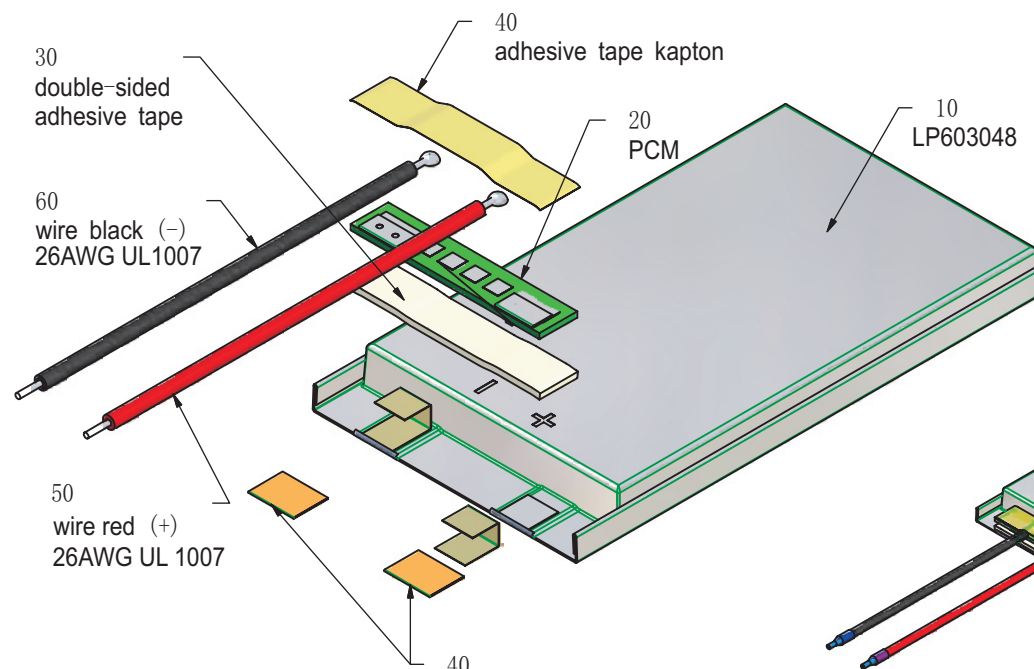
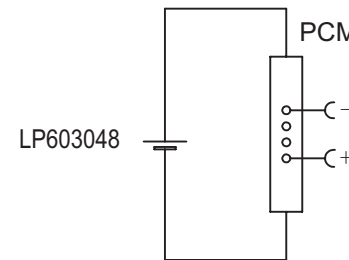
Ambient conditions

Temperature range
 Charge: 0 to +45°C
 Discharge: -20 to +60°C
 Charge retention/Storage: 1 year at -20 to 20°C >70%
 3 month at -20 to 45°C >70%
 1 month at -20 to 60°C >70%

Safety

Please follow handing and Safety Precautions Poliflex.

Circuit diagram



Index	Alteration		Date	Name
Projection:				
Diese Mae werden besonders geprüft This dimensions are considered inspectable		Material: 6645175 6819		
Mae in mm All dimensions in mm	Freimatoleranzen Generaltoleranzen	Erst./Orig. 12.08.2013	Xie Qingfang	
Als Betriebsgeheimnis anvertraut, alle Rechte vorbehalten.	up to 6: 0,1 over 6 up to 30: 0,2	Bearb./Desig. 12.08.2013	Guo Daxia	
Proprietary data, company confidential, all rights reserved.	over 30 up to 100: 0,3 over 100: 0,5	Benennung/ Designation: LP603048		Zchnng. / Dwg. Nr.: 3 FD_2566_15
Origin:			Index:	

