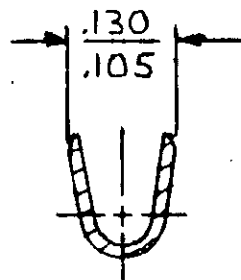
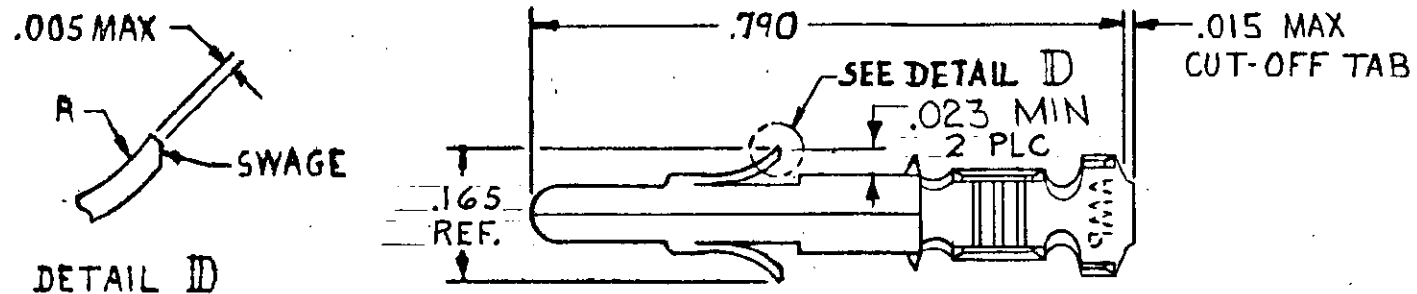


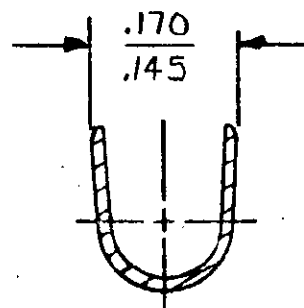
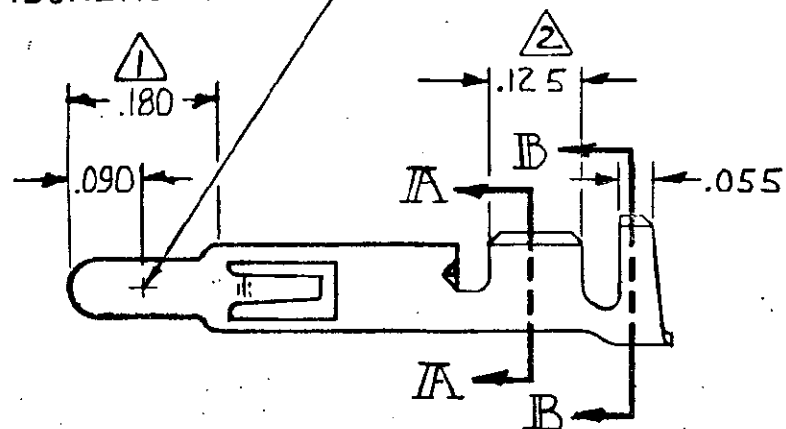
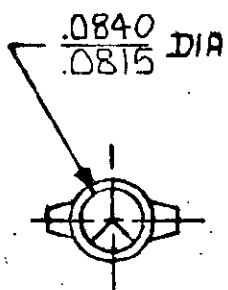
© COPYRIGHT

REVISIONS						
P	F	ZONE	LTR	DESCRIPTION	DATE	APPROVED
✓	✓		P1	REVISED PER ECO-11-005294	05APR11	HMR



SECTION A-A

POINT OF MEASUREMENT



SECTION B-B

- ① PLATED WITH .000030 GOLD, OVER .000050 NICKEL UNDERPLATE
- ② PLATED INTERNALLY WITH .000030 GOLD.

GOLD	①	.012 BRASS	350547-7
		.012 PH. BRZ	350547-6
PRE-TIN		.012 PH. BRZ.	350547-3
GOLD	①/②	.012 BRASS	350547-2
PRE-TIN			350547-1
FINISH		MATERIAL	PART NO

UNLESS OTHERWISE SPECIFIED DIMENSIONS ARE IN INCHES. TOLERANCES ON: DECIMALS ± .015 ANGLES ±	CONTRACT NO	
	DR	M. FEHER 5-6-81
	CHK	D.S. Heisle 6/9/81
	APPD	A. Polaski 6-10-81
WIRE RANGE	20-14 AWG	
INSULATION RANGE	.130 DIA MAX.	
	DSGN APPD	
	OTHER APPD	

<b>STE</b> TE Connectivity		
NAME PIN, (LOOSE PIECE) UNIVERSAL MATE-N-LOK		
SIZE	CODE IDENT NO	DRAWING NO
B	00779	350547
SCALE 4-1	SHEET #	