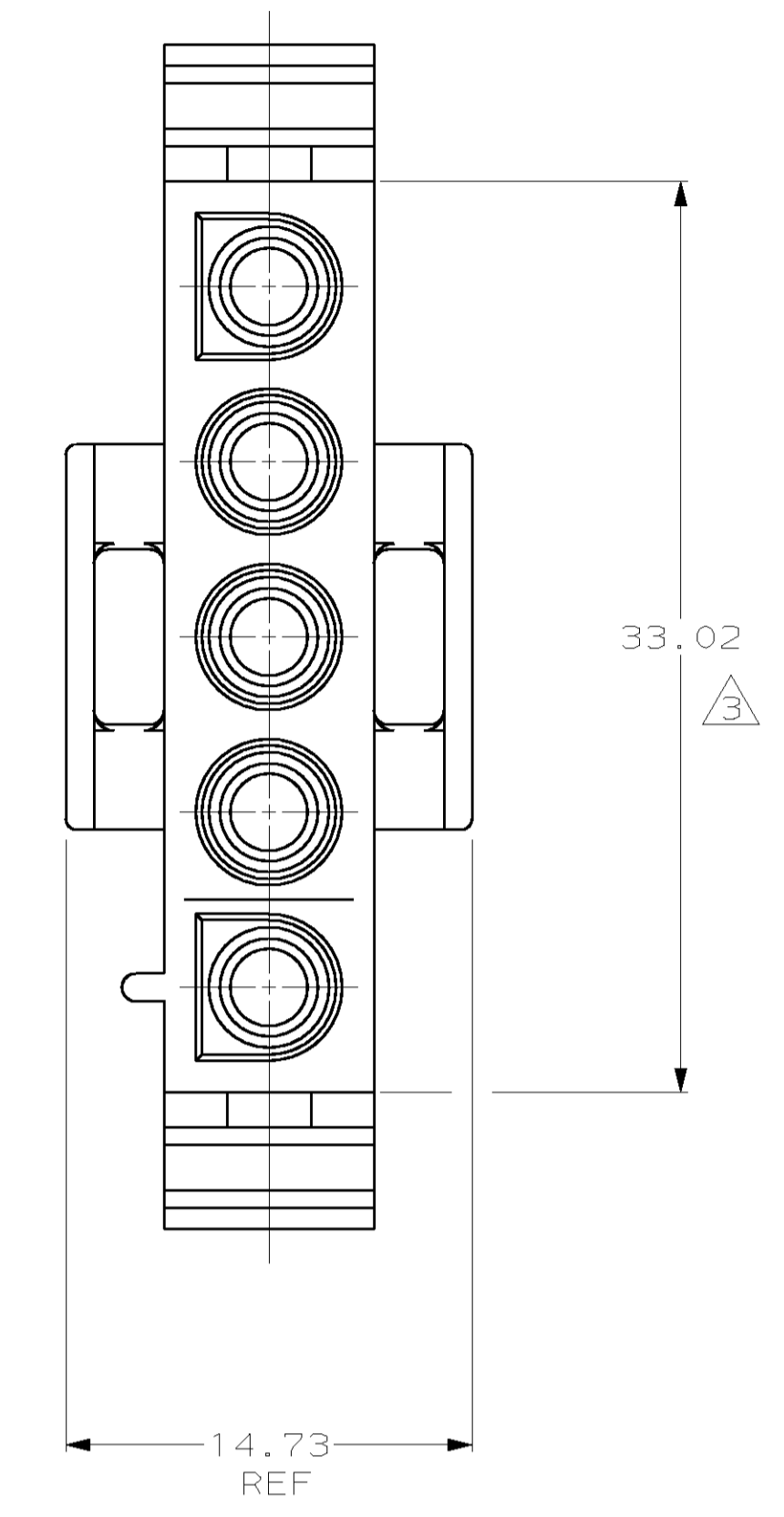
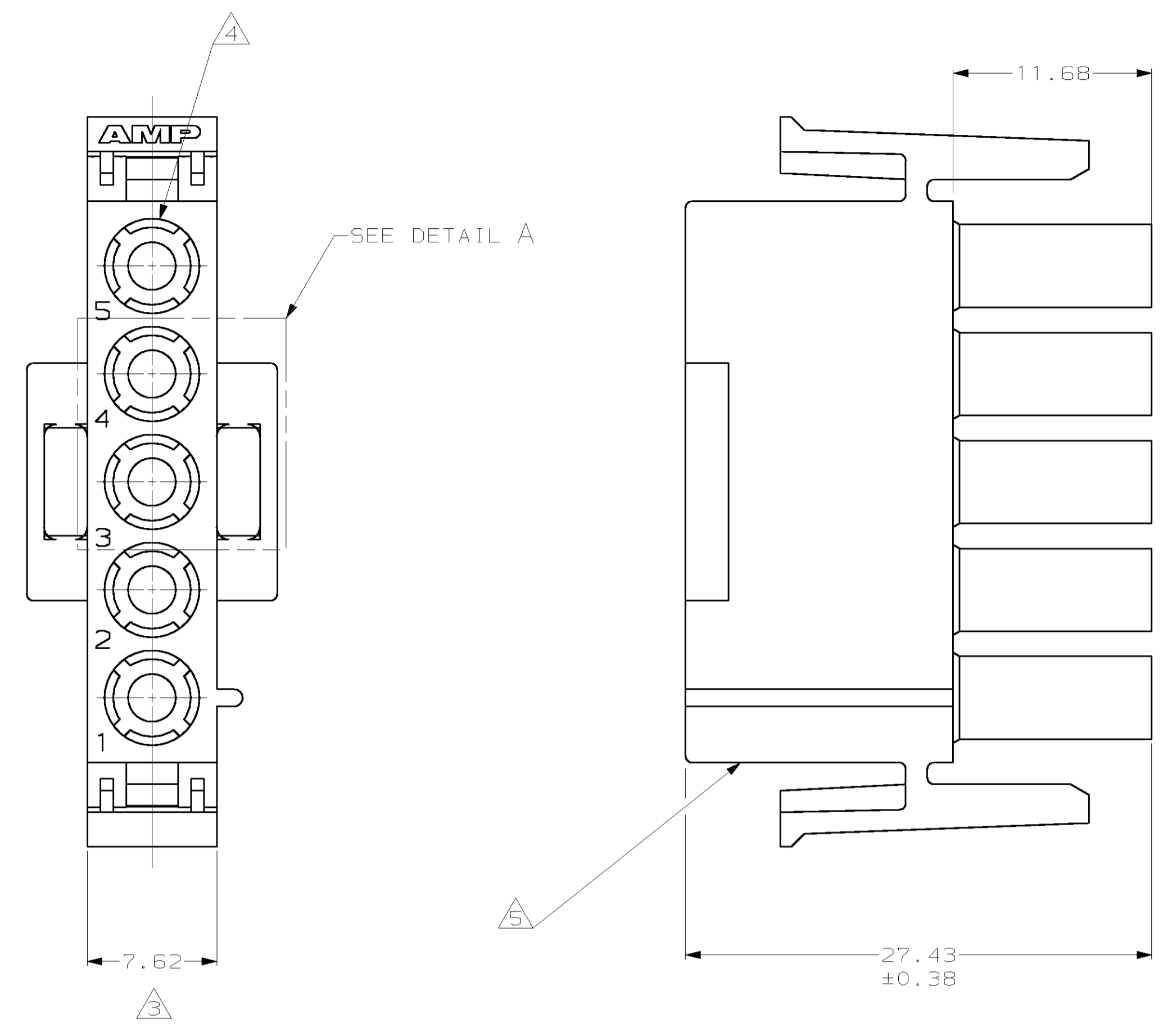
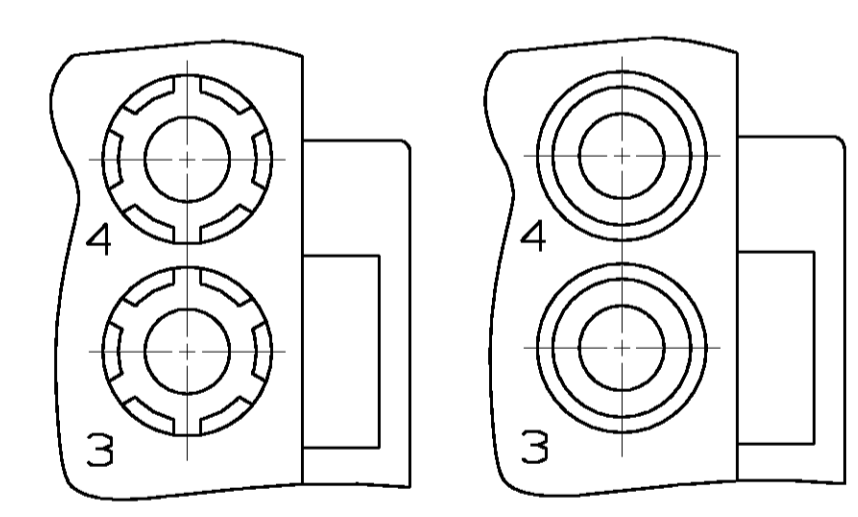
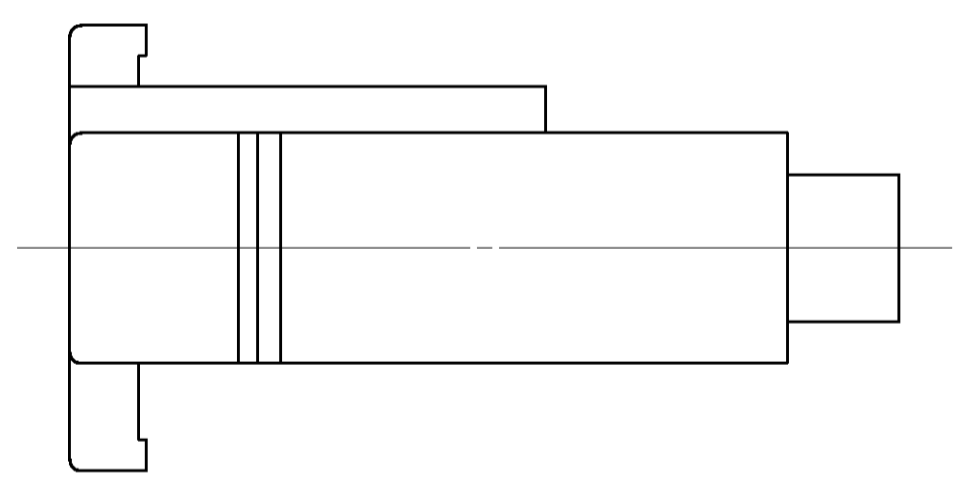


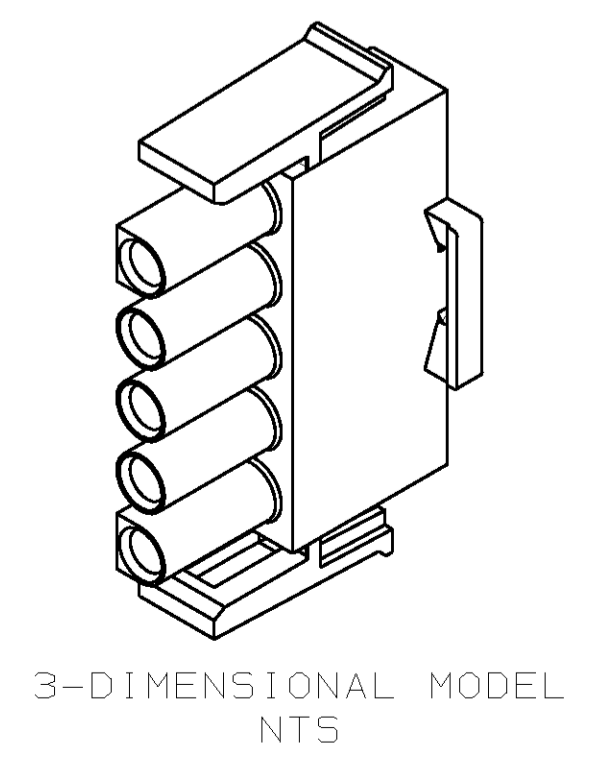
REVISONS		DATE	OWN	APVD
CM	53	28-MAY-03	KW	SR
Y	REVISED PER EC 063B-0329-03			



- MATES WITH APPROPRIATE UNIVERSAL MATE-N-LOK™ CAP OR HEADER.
  - SMALL NICKS ARE PERMITTED ON THE CIRCUIT TOWERS WHICH COULD INCREASE THE INITIAL HOUSING MATING FORCE BY UP TO 4.4 NEWTONS [1.0 LBS]. NO INDIVIDUAL NICKED TOWER SHALL INCREASE THIS FORCE BY OVER 2.2 NEWTONS [0.5 LBS].
- △3 DIMENSION INDICATED IS AS MOLDED. ADDITIONAL GROWTH DUE TO SUBSEQUENT MOISTURE ABSORPTION MAY OCCUR.
- △4 FOUR RIBS EQUALLY SPACED, NO SPECIFIC ORIENTATION. NO RIBS OR SIX RIBS EQUALLY SPACED, NO SPECIFIC ORIENTATION, OPTIONAL.
- △5 UNDERWRITERS RECOGNIZED COMPONENT LOGO AND CSA CERTIFICATION LOGO TO BE LOCATED ONCE EACH ON SIDE OF HOUSING.



DETAIL A  
OPTIONAL CONSTRUCTION



MM	IN
33.02	1.300
27.43	1.080
14.73	.580
11.68	.460
7.62	.300
0.38	.015
0.13	.005
MM	IN

CONVERSION TABLE

**METRIC**

BLACK	350809-2
WHITE	350809-1
COLOR	PART NUMBER

<small>THIS DRAWING IS UNPUBLISHED. RELEASED FOR PUBLICATION .19. IF IT IS SUBJECT TO CHANGE AND THE CONTROLLING ENGINEER'S REGISTRATION SHOULD BE CONTACTED FOR THE LATEST REVISION.</small>		DWN: R. VESTAL 2-24-95 CHK: R. SWING 2-24-95 APP'D: D. SELF 2-24-95	<b>AMP</b> AMP Incorporated Harrisburg, PA 17105-3608
DIMENSIONS: mm TOLERANCES UNLESS OTHERWISE SPECIFIED: 0 PLC ± 1 PLC ±.13 2 PLC ±.30 3 PLC ±.46 4 PLC ±.61 ANGLES 40°30'		DATE: 2-24-95 PRODUCT SPEC: APPLICATION SPEC	PLUG, 5 CIRCUIT, UNIVERSAL MATE-N-LOK™ SIZE: A1 CASE CODE: 00779 DRAWING NO: C-350809
MATERIAL: NYLON, UL 94V-0 WHITE FINISH:		WEIGHT:	SCALE: 4:1 SHEET: 1 OF 1 REV: Y

CUSTOMER DRAWING