

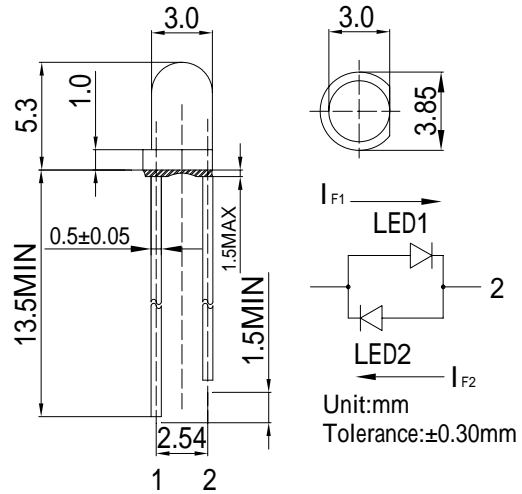
**■Features**

- High Luminous LEDs
- 3mm Round Standard Directivity
- Long Lifetime Operation
- Superior Weather-resistance
- UV Resistant Epoxy/ Water Clear Type
- AC LED

**■Applications**

- Toys
- Audio
- Games
- Other Lighting

**■Outline Dimension**



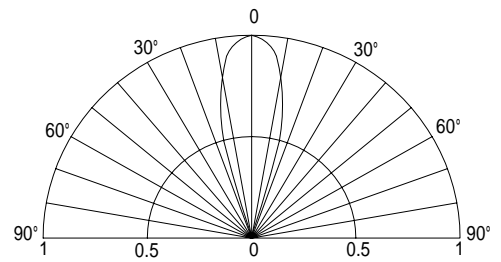
**■Absolute Maximum Rating**

(Ta=25 )

Item	Symbol	Value		Unit
		LED1	LED2	
DC Forward Current	$I_F$	30	30	mA
Pulse Forward Current*	$I_{FP}$	100	100	mA
Reverse Voltage	$V_R$	5	5	V
Power Dissipation	$P_D$	108	108	mW
Operating Temperature	$T_{opr}$	-30 ~ +85		
Storage Temperature	$T_{stg}$	-40 ~ +100		
Lead Soldering Temperature	$T_{sol}$	260 /5sec		-

\*Pulse width Max.10ms Duty ratio max 1/10

**■Directivity**



**■Electrical -Optical Characteristics**

(Ta=25 )

Item	NO.	Symbol	Condition	Min.	Typ.	Max.	Unit
DC Forward Voltage	LED1	$V_{F1}$	$I_{F1}=20mA$	2.9	3.1	3.6	V
	LED2	$V_{F2}$	$I_{F2}=20mA$	2.9	3.1	3.6	V
Domi. Wavelength*	LED1	$\lambda_{D1}$	$I_{F1}=20mA$	465	470	475	nm
	LED2	$\lambda_{D2}$	$I_{F2}=20mA$	465	470	475	nm
Luminous Intensity*	LED1	$I_{v1}$	$I_{F1}=20mA$	2180	3000	-	mcd
	LED2	$I_{v2}$	$I_{F2}=20mA$	2180	3000	-	mcd
50%Power Angle	LED1	$2\theta_{1/2}$	$I_{F1}=20mA$	-	30	-	deg
	LED2	$2\theta_{1/2}$	$I_{F2}=20mA$	-	30	-	deg

\*Tolerance of dominant chromaticity is  $\pm 10\%$

\*2 Tolerance of luminous intensity is  $\pm 15\%$