

FOR COUNTERPART DIMENSIONS
 SEE SHEET 2 of 2

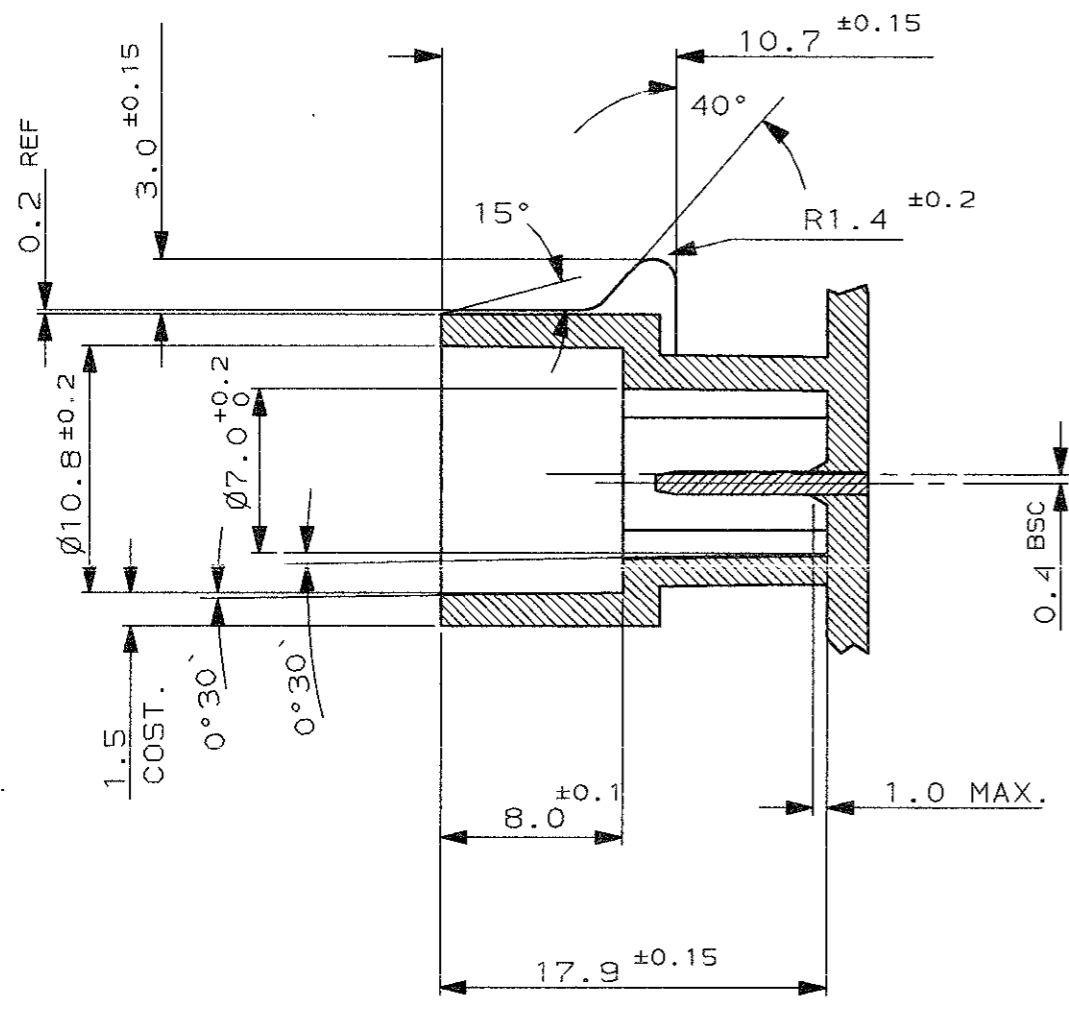
GREY	G.F. PA 6 6	282079-3
BLACK	G.F. PA 6 6	282079-2
FINITURA / COLORE (FINISH / COLOUR)	MATERIALE (MATERIAL)	NUMERO (PART NUMBER)

CUSTOMER DWG. FOR REFERENCE ONLY **DISEGNO PER CLIENTE SOLO PER RIFERIMENTO**

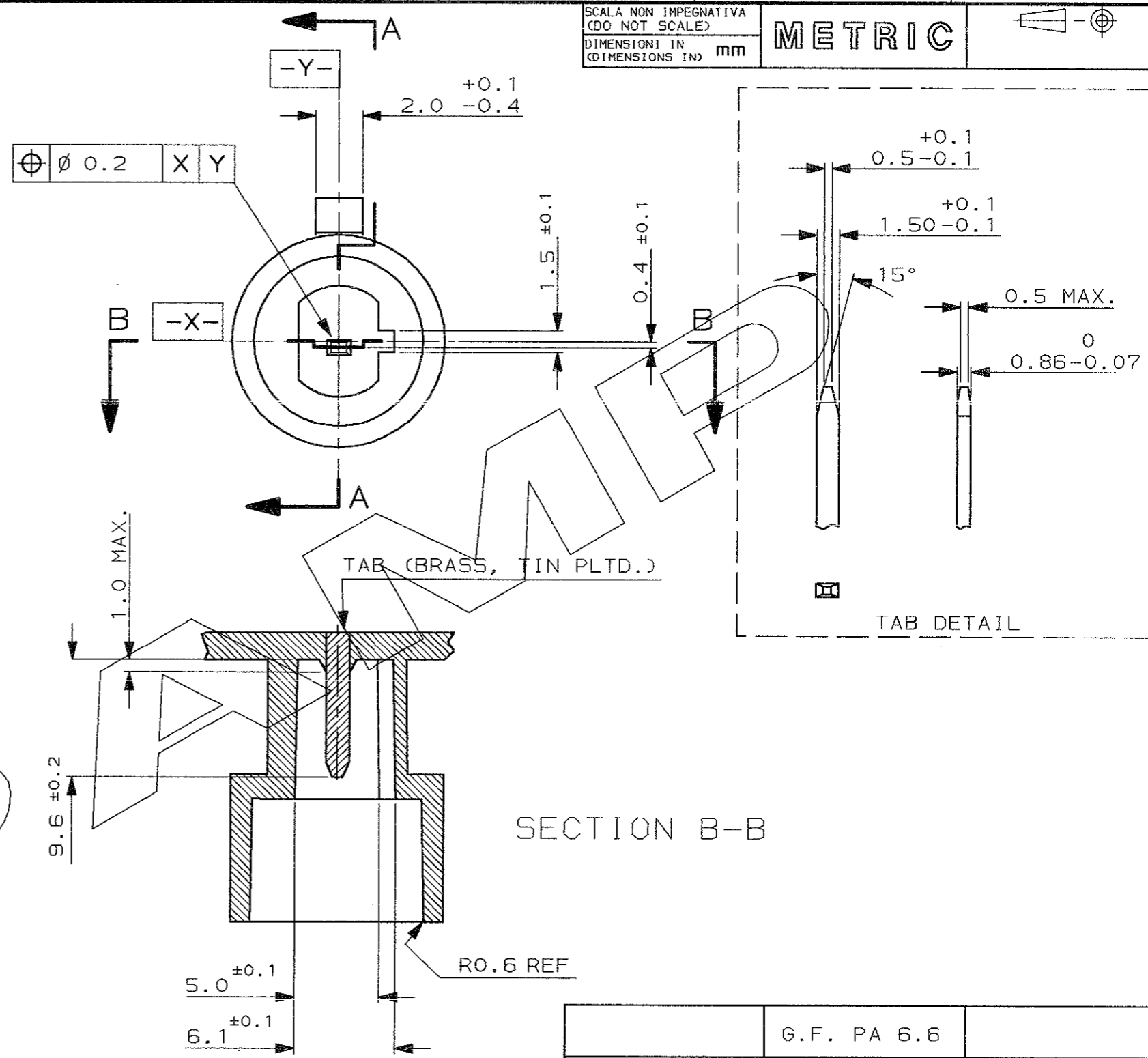
C1	REVISED PER ET00-0008-04	P.Z.	20-1
C	UP-DATED ET00-0490-97	R.M.	20-4
B	ADDED DIM. 1.8±0.2	0512	10-11 97
A1	UP-DATED (ET00-0342-92)	C B	18-11 96
A	SEE SHEET 2 of 3	C B	29-4 96
6	UP-DATED (EC 0182-93)	C B	11 93
5	UP-DATED	C B	10 92
4	ADDED PN ...-3	C B	8 92
3	UP-DATED	C.B	1 92
2	UP-DATED	C.B	7 90
REV.	REVISIONI (REVISION RECORD)	DIS.	DATA (DATE)

THIS DRAWING IS UNPUBLISHED		RELEASE FOR PUBLICATION		19
©COPYRIGHT 1990 BY AMP INCORPORATED, HARRISBURG, PA. ALL INTERNATIONAL RIGHT RESERVED. AMP PRODUCTS MAY BE COVERED BY U.S. AND FOREIGN PATENT AND/OR PATENT PENDING				
TOLLERANZE, SE NON DIVERSAMENTE SPECIFICATO (TOLERANCES, UNLESS OTHERWISE SPECIFIED)	DIAM. ISOLANTE (INS. DIA. RANGE)	RANGO FILO (WIRE RANGE)	SCALA (SCALE)	
± 0.3	-	-	-	
ANGOLI (ANGLES)	± 2°			
DIS. C. BERTINI (DR.)	7-90			
CONT. A. BRUNI (CHK)	7-90			
APP. (APP.)	-			
DESCRIZIONE (DESCRIPTION)	1 POS. PLUG. ASS'Y			
AMP SUPERSEAL 1.5 SERIES CONNECTORS				
LOC. SIZE	NUMERO (DWG NO)	REV.	FOGLIO (SHEET)	
I A3	C-282079	C1	1 DI (OF) 2	

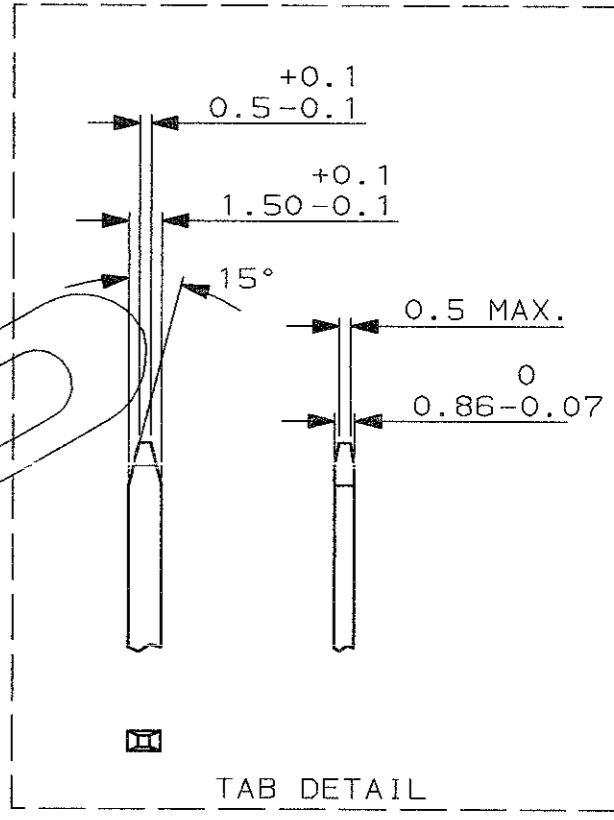
DISTRIBUZIONE (PRINT DIST.)



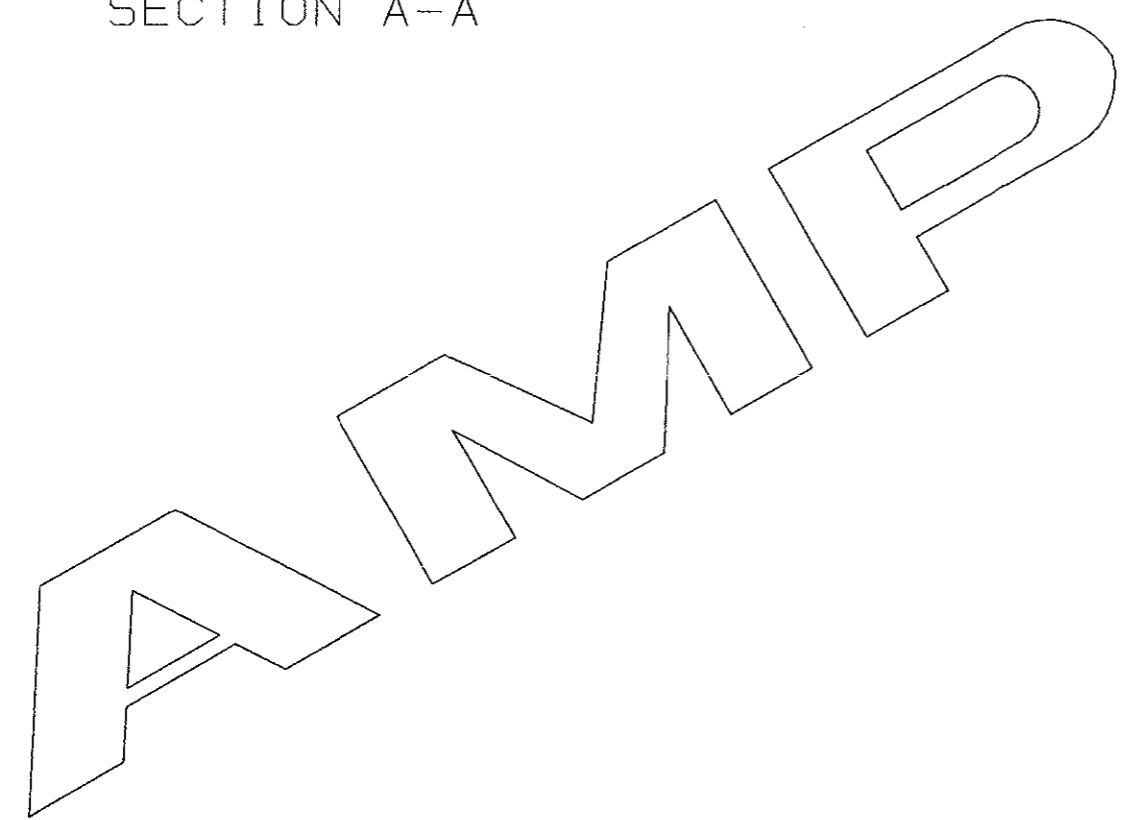
SECTION A-A



SECTION B-B



TAB DETAIL



SEE SHEET 1 OF 2

G.F. PA 6.6		NUMERO (PART NUMBER)	
FINITURA / COLORE (FINISH / COLOUR)		MATERIALE (MATERIAL)	
CUSTOMER DWG. FOR REFERENCE ONLY		DISEGNO PER CLIENTE SOLO PER RIFERIMENTO	
THIS DRAWING IS UNPUBLISHED		RELEASE FOR PUBLICATION 19	
© COPYRIGHT 19 BY AMP INCORPORATED, HARRISBURG, PA. ALL INTERNATIONAL RIGHT RESERVED. AMP PRODUCTS MAY BE COVERED BY U.S. AND FOREIGN PATENT AND/OR PATENT PENDING			
TOLLERANZE, SE NON DIVERSAMENTE SPECIFICATO (TOLERANCES, UNLESS OTHERWISE SPECIFIED)		DIAM. ISOLANTE (INS. DIA. RANGE)	RANGO FILO (WIRE RANGE)
± 0.3		-	-
ANGOLI (ANGLES)		SCALA (SCALE)	
± 2°		-	
DIS. C. BERTINI (DR.) 5-92		DESCRIZIONE (DESCRIPTION) COUNTERPART FOR	
CONT. (CHK)		ONE POS. REC. HSG. ASS'Y	
APP. (APP.)		LOC. SIZE NUMERO (DWG NO)	REV. FOGLIO (SHEET)
REV. (REV. LTR.)		IA3 C-282079	C1 2 (OF) 2

DISTRIBUZIONE (PRINT/DIST.)