

METRIC

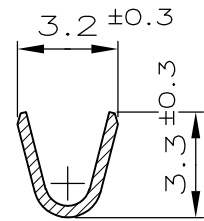
LOC
I

DIST
—

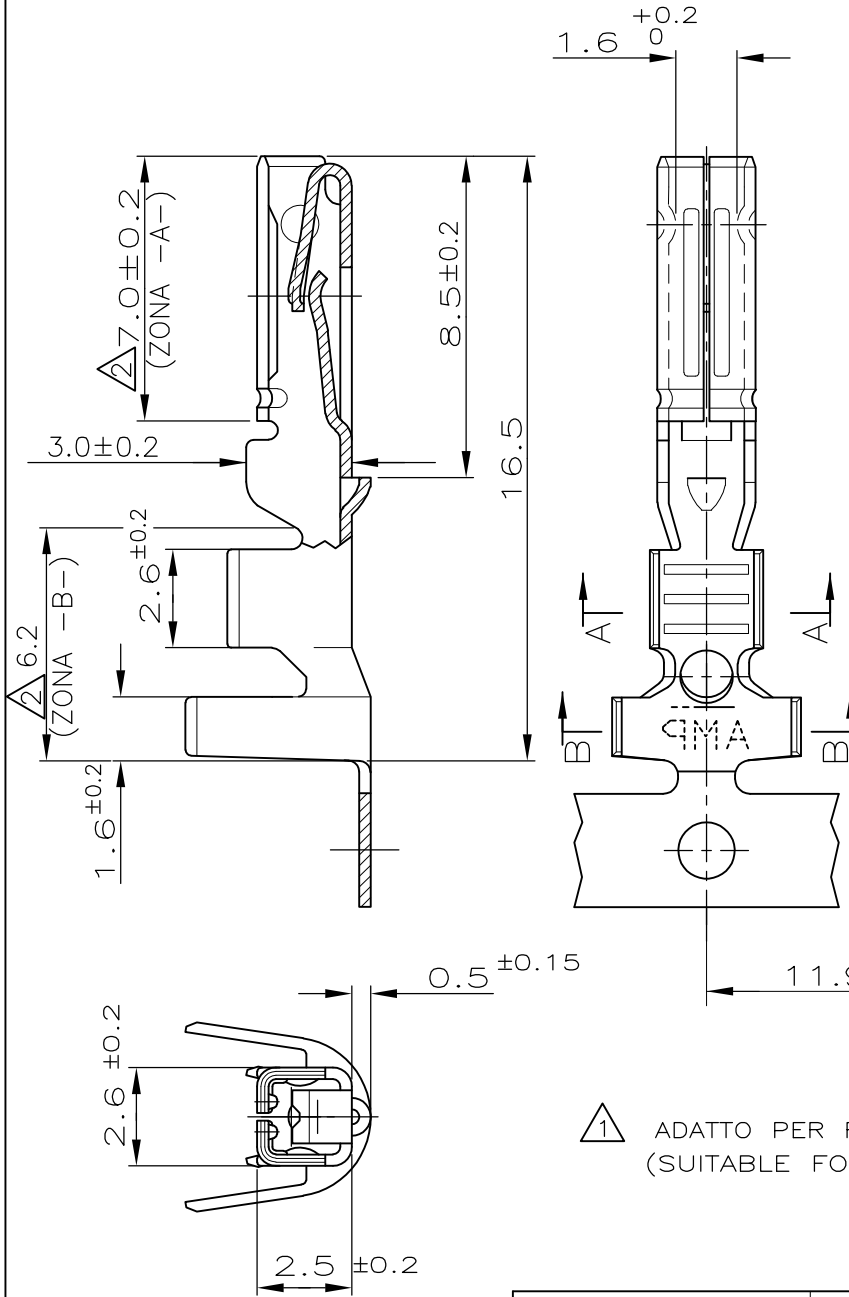
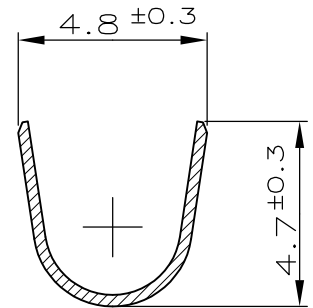
REVISIONS

P	LTR	DESCRIPTION	DATE	DWN	APVD
	D1	REVISED PER ECO-11-005033	2APR11	RK	HMR

PART.SECT. A-A



PART.SECT. B-B



△ ADATTO PER RUBBER PLUG 281934-...
(SUITABLE FOR WIRE SEAL 281934-...)

PRE-STAGNATO/PRE-TIN	BRONZO FOSF./PH. BRONZE	282110-1
FINITURA / COLORE (FINISH / COLOUR)	MATERIALE (MATERIAL)	NUMERO (PART NUMBER)
CUSTOMER DRAWING FOR REFERENCE ONLY		DISEGNO PER CLIENTE SOLO PER RIFERIMENTO

DIAM. ISOLANTE (INS. DIA. RANGE)
△ 1

RANGO FILO (WIRE RANGE)
0.75-1.5mm²

THIS DRAWING IS UNPUBLISHED. ALL RIGHTS RESERVED. RELEASED FOR PUBLICATION - By -

DIMENSIONS:
mm

DWN Bassano 9 NOV.90

MATERIAL - FINISH -

TE Connectivity

TOLERANCES UNLESS OTHERWISE SPECIFIED:

CHK Bertini 9 NOV.90



- 0 PLC ± -
- 1 PLC ± 0.3
- 2 PLC ± -
- 3 PLC ± -
- 4 PLC ± -
- ANGLES ± 2°

APVD -

NAME MINI MIC SRS REC. CONTACT

PRODUCT SPEC -

SIZE A4 CAGE CODE 00779 DRAWING NO C-282110 RESTRICTED TO -

APPLICATION SPEC -

WEIGHT -

CUSTOMER DRAWING SCALE 5:1 SHEET 1 OF 1 REV D1

