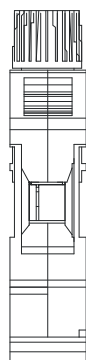
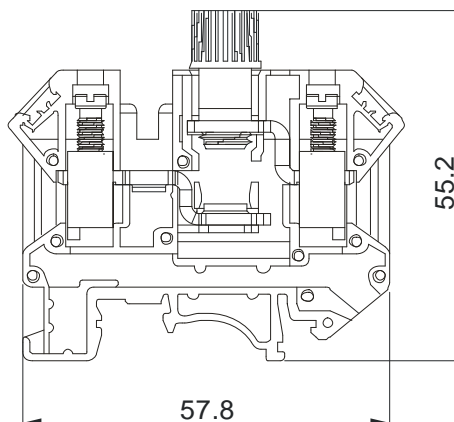
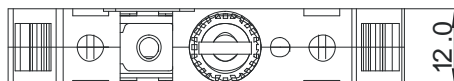
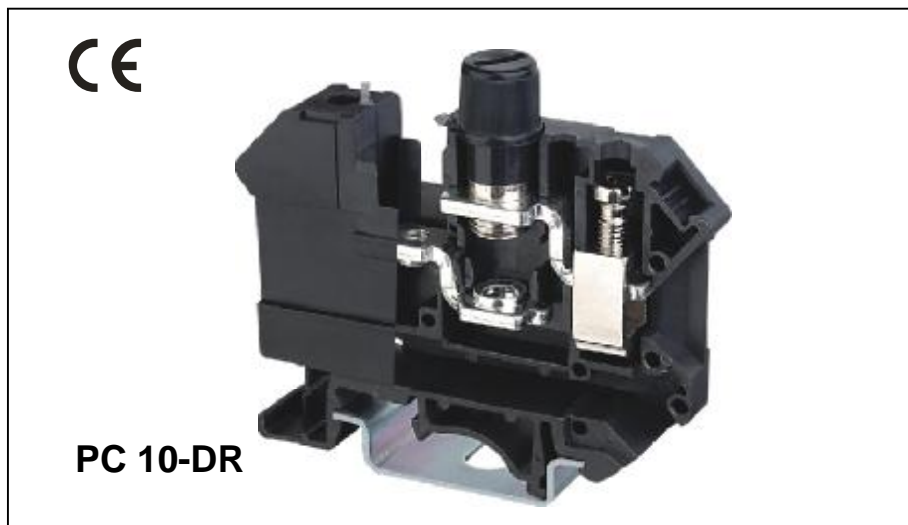









DEGSON ELECTRONICS CO., LTD.

Product Specification



Approval	CE	
Electrical	UL	IEC
Standard	600V	800V
Rated voltage	10A	10A
Rated current	20-6AWG	0.5-16mm ²
Wire size	12/62/-mm	
T/W/End plate	59/66.5/64mm	
Height(NS35:7.5/NS35:15/NS32)	4KV/3	
Rated surge voltage/Contamination class	11mm	
Stripping length	M4/1.2N.m/10.5Lb-in	
Screw thread/Tightening torque	B6	
Internal cylindrical gage	PA/V-0	
Insulating material/Inflammability class		

Specification	Model	Pieces
(1) Fuse terminal block	PC 10-DR(5X20mm) PC 10-DR(6.3X32mm) PC 10-DR(5X25mm)	50 50 50
(2) Fixed bridge 	FBI 10-12	10
(3) Insertion bridge 	EB 10-12	10
(4) Test plug socket 	DSB 4/7/6	100
(5) Test plug socket, insulated 	DSBJ 4/15/6	
(6) Zack strip 	ZB8	

HOW TO ORDER :

- **P** - -

X	X	X
Customer Request		

Series No.

No. of pole

Color

1	Gray	4	Green	7	Transp-arent
2	Blue	5	Orange	8	Yellow
3	Black	6	Red	9	white

 mm (INCH)	 DEGSON ELECTRONICS CO., LTD.
 THROANGLE PROJECTION	NAME PC 10-DR